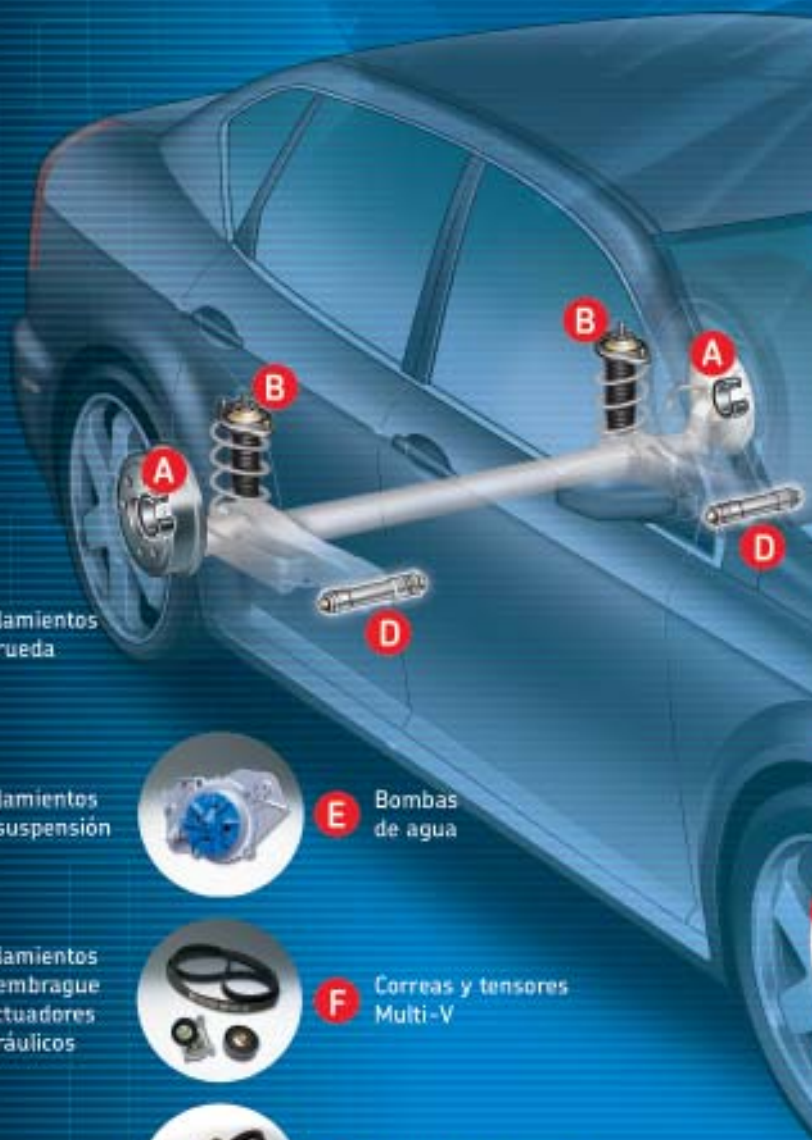


2005/2006

Tensores de correas





A Rodamientos de rueda



B Rodamientos de suspensión



C Rodamientos de embrague y actuadores hidráulicos



D Brazos de suspensión



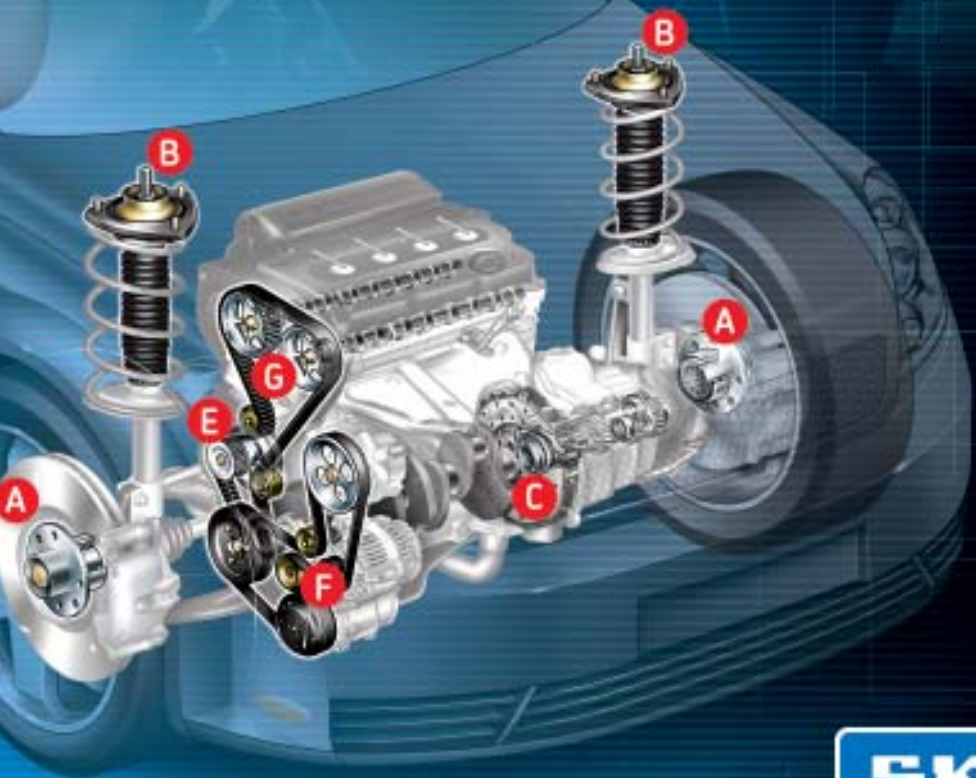
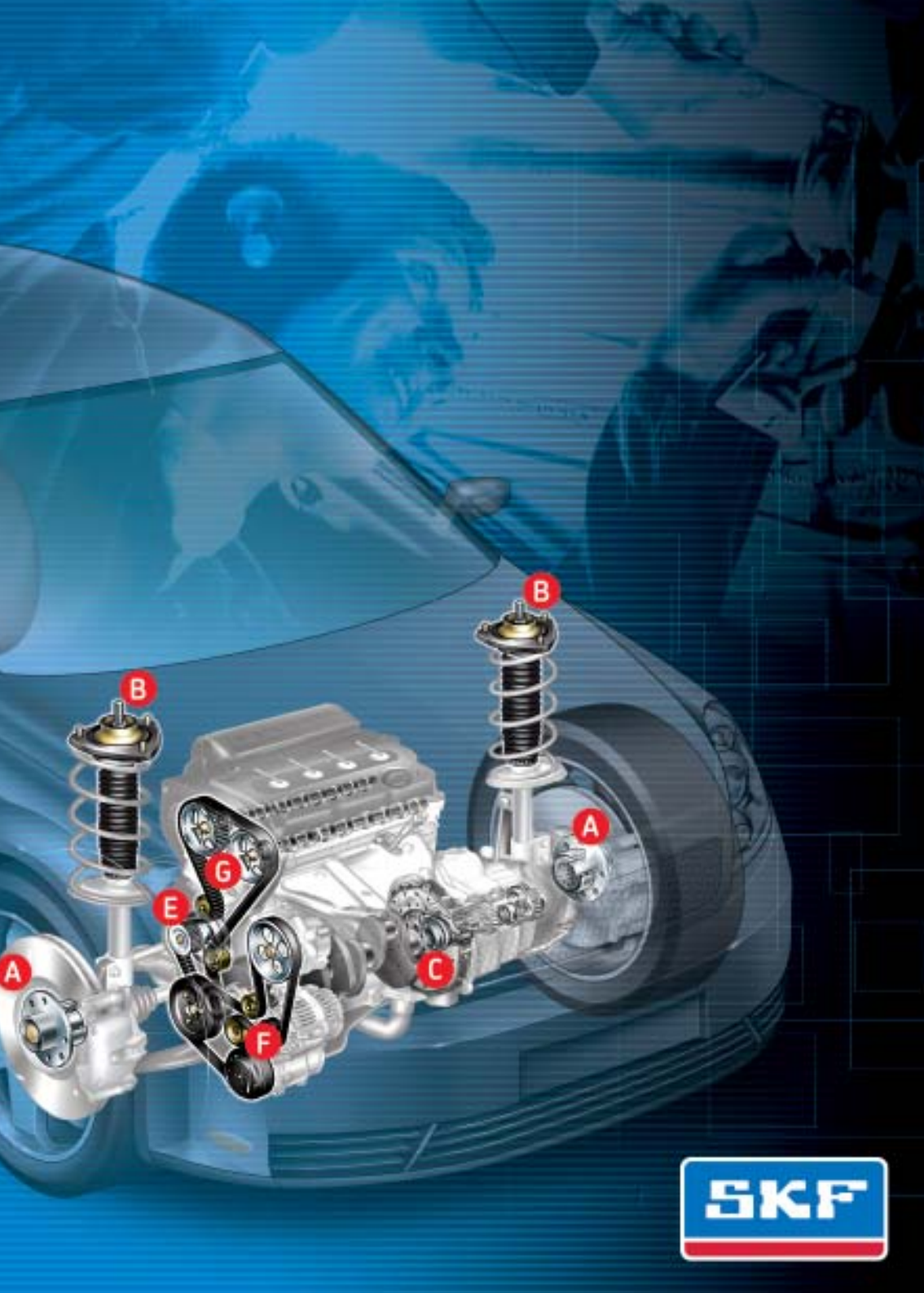
E Bombas de agua








F Correas y tensores Multi-V



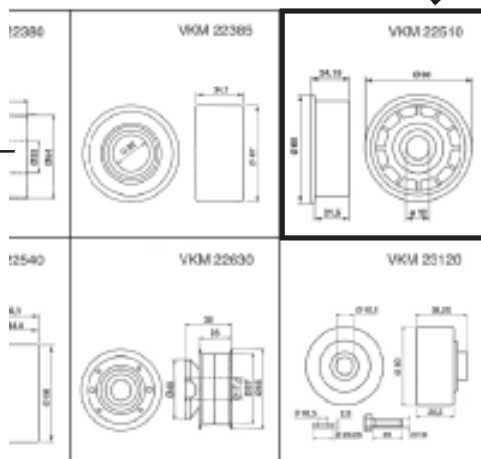
G Correas y tensores de Distribución



Cómo utilizar el catálogo

| Tipo de tensor | Marca y modelo | Motor | Equipo original | Observaciones | Designación SKF | |
|---|--------------------------|---|---|---|--|------------------|
|  | Alfa Romeo 145 |  |  |  |  | |
| Caja de distribución | | | | | | |
| | 1.6 | 1.6 | 1.3 : 1351 cc; 1.6: 1596 cc | 534134 | Desde 1994 hasta 1996 | VKM 12500 |
| | 1.6 | 1.6 | 1.3 : 1351 cc; 1.6: 1596 cc | 534135 | Desde 1994 hasta 1997 | VKM 12501 |
| | 1.6; 1.8; 1.8 16 Vál. | 1.8 | 1370 cc; 1598 cc; 1747 cc | 60607965 | Desde 1997 | VKM 22173 |
| | 1.6; 1.7 | 1.7 | 1600 cc | 60652477 | | VKM 12182 |
| | 1.7 16V | 1.7 16V | 1712 cc | 60504235 | Desde 1994 hasta 1996 | VKM 22510 |
| | 2.0 16V | 2.0 | 1970 cc | 60612624 | Desde 1997 | VKM 22173 |
| | 1.8 y 2.0 16 Válvulas | 1.8 | 1700 cc | 60586372 | | VKM 2173 |
| | 1.9 JTD Diesel | 1.9 | 1910 cc | 7763644 | | VKM 22174 |
| | 1.9 Turbo diesel | 1.9 | 1929 cc | 7596877 | Desde 1994 hasta 1998 | VKM 2153 |
| | 1.9 T | 1.9 | 1929 cc | 7761187 | Desde 1994 hasta 1998 | VKM 2153 |

Identificación visual





Indice por Marcas

| | |
|----------------------|----|
| Alfa Romeo | 4 |
| Audi | 5 |
| BMW | 8 |
| Citroën | 9 |
| Daewoo | 12 |
| Daihatsu | 12 |
| Fiat | 13 |
| Ford | 17 |
| General Motors | 19 |
| Honda | 21 |
| Hyundai | 22 |
| Iveco | 22 |
| Kia | 22 |
| Mazda | 23 |
| Mercedes Benz | 23 |
| Mitsubishi | 24 |
| Nissan | 26 |
| Peugeot | 27 |
| Renault | 33 |
| Rover | 37 |
| Seat | 38 |
| Subaru | 40 |
| Suzuki | 40 |
| Toyota | 41 |
| Volkswagen | 42 |
| Volvo | 44 |



Alfa Romeo

145

Tensor de distribución

| | | | | |
|-----------------------|---------------------------|----------|-----------|-----------|
| 1.4, 1.6 | 1351 cc, 1596 cc | 534134 | '94 > '96 | VKM 12500 |
| 1.4, 1.6 | 1351 cc, 1596 cc | 534135 | '94 > '97 | VKM 12501 |
| 1.4; 1.6; 1.7 16 vál. | 1370 cc, 1598 cc, 1747 cc | 60607965 | '97 | VKM 22177 |
| 1.4; 1.6; 1.7 16 vál. | | 60652477 | | VKM 12182 |
| 1.7 16 vál. | 1712 cc | 60504226 | '94 > '96 | VKM 22510 |
| 2.0 16 vál. | 1970 cc | 60812624 | '97 > '01 | VKM 22173 |
| 2.0 16 vál. | | 60596372 | '97 > '01 | VKM 12173 |
| 1.9 JTD Diesel | 1910 cc | 7763644 | | VKM 22174 |
| 1.9 Td | 1929 cc | 7596877 | '94 > '98 | VKM 12153 |
| 1.9 Td | 1929 cc | 60811487 | '94 > '98 | VKM 22153 |

Tensor Poly - V

| | | | | |
|-----------------------------|-------------|----------|--------------------------------------|-----------|
| 1.4, 1.6, 1.8 y 2.0 16 vál. | | 60814110 | Todos los modelos. Tensor automático | VKM 02000 |
| 1.9 Td | 1.9 1929 cc | 46424716 | | VKM 02032 |
| 1.9 JTD | 1910 cc | 46546374 | Tensor automático | VKM 02027 |
| 1.9 JTD | 1910 cc | 60814033 | '99 > | VKM 32006 |

146

Tensor de distribución

| | | | | |
|---------|---------|----------|-----------|-----------|
| 1.9 JTD | 1910 CC | 60813592 | '99 > '01 | VKM 12174 |
|---------|---------|----------|-----------|-----------|

Tensor Poly - V

| | | | | |
|---------|---------|----------|-------|-----------|
| 1.9 JTD | 1910 CC | 60814033 | '99 > | VKM 32006 |
|---------|---------|----------|-------|-----------|

147

Tensor de distribución

| | | | | |
|-------------|-------------------------------|----------------------|-----------------|------------------------|
| 1.6 16 vál. | AR 32104; AR 37203 1598 cc | 60652477 60664403 | '01 > 03/'04 | VKM 12182 VKM 22177 |
| 2.0 16 vál. | AR 32310 | | '01 > 03/'04 | VKM 12173 VKM 22177 |
| 1.9 JTD | 937 A 2.000 | 60813592 55187100 | 04/'01 > 03/'04 | VKM 12174 VKM 22179 |

Tensor Poly - V

| | | | | |
|-------------------|---------------|----------|--------------------------------------|-----------|
| 1.6 y 2.0 16 vál. | | 46442999 | Todos los modelos. Tensor automático | VKM 02000 |
| 1.6 16V | 1598 CC | 60812515 | '01 > | VKM 32001 |
| 1.9TD, 1.9 JTD | 1910 CC | 60814033 | '01 > | VKM 32006 |
| 1.9 JTD | 1.9 JTD 81 KW | 46546374 | Tensor automático | VKM 02027 |

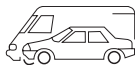
155

Tensor de distribución

| | | | | |
|-----------------------|---------------------------|----------|--------------|-----------|
| 1.6; 1.7; 2.0 16 vál. | 1598 cc, 1747 cc, 1970 cc | 60607965 | '96 > 01/'98 | VKM 22177 |
| 2.0 16 vál. | | 60812622 | | VKM 12173 |
| 1.9 Td | 1929 cc | 60808693 | 04/'94 > '98 | VKM 12153 |
| 3.0 V6 24 vál. | | 60603056 | | VKM 22540 |

Tensor Poly - V

| | | | | |
|----------------|-----------------------------|----------|------------|-----------|
| 2.0 16 vál. | 64103 - 1995 cc | 60805460 | > '92 | VKM 02000 |
| 3.0 V6 24 vál. | 64304/66301/66302 - 2959 cc | 60810641 | > '92 | VKM 32010 |
| 2.0 T. Spark | | 46424716 | | VKM 02032 |
| 2.5 Td | VM08B/VM32B - 2500 cc | 60595630 | > '92 C/AA | VKM 32017 |



Alfa Romeo (cont.)

156

| | | | | |
|-------------------|-------------------|----------|---------------------------|-----------|
| 1.6 16V | 1598 cc | 60652477 | 09/'97 > 03/'03 | VKM 12182 |
| 1.6 16V | 1598 cc | 60664403 | 09/'97 > 03/'03 | VKM 22177 |
| 1.8 16V | 1747 cc | 60664403 | 09/'97 > '01 d/mot1615596 | VKM 22177 |
| 1.8 16V- 2.0 16V | 1747 cc / 1970 cc | 60596372 | 09/'97 > '01 | VKM 12173 |
| 1.8 16V- 2.0 16V | 1747 cc / 1970 cc | 60813415 | 09/'97 > '01 h/mot1615595 | VKM 22173 |
| 1.9 JTD / 2.4 JTD | 1910 cc, 2387 cc | 60813592 | '97 > '03 | VKM 12174 |
| 1.9 JTD / 2.4 JTD | 1910 cc, 2387 cc | 60813590 | '97 > '03 | VKM 22174 |
| 2.0 16 V | 1970 cc | 60652477 | 03/'02 > 03/'03 | VKM 12182 |
| 2.0 16 V | 1970 cc | 60664403 | 03/'02 > 03/'03 | VKM 22177 |

166

Tensor de distribución

| | | | | |
|------------------|-------------------|----------|-----------------|-----------|
| 2.0 16 vál. | | 60596372 | | VKM 12173 |
| 2.0 16 vál. | 1970 cc | 60607965 | '98 > 03/'04 | VKM 22177 |
| 2.4 JTD | 2387 cc | 60813592 | 09/'98 > 03/'04 | VKM 12174 |
| 2.4 JTD 20 vál. | 2387 cc | 60813590 | 10/'03 > 03/'04 | VKM 22174 |
| 2.5 y 3.0 V6 24V | 2492 cc / 2959 cc | 60603056 | 09/'98 > 03/'04 | VKM 22540 |
| 3.2 V6 24V | 3179 cc | 60603056 | '03 > '04 | VKM 22540 |

Tensor Poly - V

| | | | | |
|-------------|---------------------|----------|-------------------|-----------|
| 2.0 16 vál. | 2.0 T. Spark 114 KW | 46442999 | Tensor automático | VKM 02000 |
| 2.4 JTD | 2.4 JTD 100 KW | 46547566 | | VKM 02022 |
| 2.4 JTD | 2387 CC | 7788010 | '98 > '04 | VKM 32004 |
| 2.4 JTD | 2387 CC | 60813569 | '98 > '04 | VKM 32025 |

Audi

A3

Tensor de distribución

| | | | | |
|----------------|-----------------------------|---|-----------|---|
| 1.6 | AEH, AKL - 1595 cc | 06A109479 A | '96 > '04 | VKM 11113 |
| 1.8 | AGN/AGU/AJQ/AMK/AQA/APP/APY | 06B109243 | '96 > '00 | VKM 11115 |
| 1.8 | AGN/AGU/AJQ/AMK/AQA/APP/APY | 06B109477 | | VKM 21115 |
| 1.9 TDi Diesel | AGR/AHF/ALH - 1896 cc | 038109243 G 58109244 038109244 B 038109244 E | '97 > '01 | VKM11130 VKM 21004 VKM 21130 VKM 21131 |
| 1.9 TDI | 1896 cc | 038 109 243 M 038 109 244 J | '00 > '03 | VKM 11250 VKM 21147 |

Tensor Poly - V

| | | | | |
|----------------|---------------|-----------------------|-----------|-----------|
| 1.6,1.8,1.8T | 1595cc,1781cc | 06A 903 315 E | '96 > '04 | VKM 31011 |
| 1.9 TDI | 1896 cc | 038145278 | '96 > '04 | VKM 31013 |
| 1.9 TDi Diesel | AGR - 1896 cc | 038145276 + 038145291 | C/ AA | VKM 31002 |

A4/S4

Tensor de distribución

| | | | | |
|-----------|------------------------------|-------------------------|------------------------|------------------------|
| 1.6 | AHL - 1595 cc | 06A109479 A | 11/'94 > '99 | VKM 11113 |
| 1.6 | ADP - 1595 cc | 026109243 J | 11/'94 > 07/'97 | VKM 11003 |
| 1.8 | ADR,AEB,AFY,AJL - 1781 cc | 058109243 B 58109244 | '95 > '01 '95 > '01 | VKM 11008 VKM 21004 |
| 1.8, 1.8T | 1781 cc | 06B 109 243 A | '95 > '00 | VKM 11116 |
| 1.8T | 1781 cc | 06B 109 477 | '95 > '00 | VKM 21115 |



Audi (cont.)

A4/S4 (cont.)

Tensor de distribución (cont.)

| | | | | |
|----------------|-------------------------|----------------------------|-----------|------------------------|
| 1.8T | 1781 cc | 06B109243 B | '00 > '04 | VKM 11018 |
| 1.9 Diesel | AFF - 1896 cc | 028109243 E | | VKM 11014 |
| 1.9 Diesel | AFF - 1896 cc | 58109244 | | VKM 21004 |
| 1.9 TDi Diesel | 1Z/AFN/AHU - 1896 cc | 028109243 E | | VKM 11014 |
| 1.9 TDi Diesel | 1Z/AFN/AHU - 1896 cc | 028109244 | | VKM 21012 |
| 1.9 TDi Diesel | AJM | 045109244 A | | VKM 21142 |
| 2.4 | AFM - 2393 cc | 078109243 Q | | VKM 11202 |
| 2.4 | AGA/AJG/ALF/APZ/APS/ARJ | 078109244 H | | VKM 21202 |
| 2.5 TDi Diesel | AFB/AKN - 2496 cc | 059109243 D | | VKM 11150 |
| 2.5 TDi Diesel | AFB/AKN - 2496 cc | 059109243 F/G | | VKM 11151 |
| 2.5 TDi Diesel | AFB/AKN - 2496 cc | 59109244 | | VKM 21150 |
| 2.6 / 2.8 | ABC/ACZ - 2598 cc/2771 | 078109243 K 078109244 G | | VKM 11201 VKM 21201 |
| 2.8 | ACK/ALG/APR/AQD/ATX | 078109244 H | | VKM 21202 |

Tensor Poly - V

| | | | | |
|----------------|----------------|----------------|-----------|-----------|
| 1.6, 1.8, 1.8T | 1595cc, 1781cc | 058 903 133 D | '95 > '01 | VKM 31033 |
| 2.4, 2.8 | 2393, 2761 cc | 078 903 133 AB | '99 > '04 | VKM 31061 |
| 2.5 TDI | 2496 cc | 059 903 341 | '01 > '04 | VKM 31038 |
| 2.5 TDI | 2496 cc | 059 145 276 | '01 > '04 | VKM 31039 |
| 2.5 TDI | 2496 cc | 059 260 523 A | '01 > '04 | VKM 31040 |
| 2.5 TDI | 2496 cc | 059 903 341 A | '01 > '04 | VKM 31041 |

A6/S6

Tensor de distribución

| | | | | |
|----------------|---------------------------|-----------------|-------------------|-----------|
| 1.8; 1.8 Turbo | ADR/AFB/AFY/AJL - 1781 cc | 58109244 | 10/'97 > 02/'04 | VKM 21004 |
| 1.8; 1.8 Turbo | ADR/AFB/AFY/AJL - 1781 cc | 058109243 B | | VKM 11008 |
| 1.8, 1.8 T | 1781 cc | 06B 109 243 | '97 > '04 c/153 d | VKM 11115 |
| 1.8, 1.8 T | 1781 cc | 06B 109 477 | '97 > '04 c/153 d | VKM 21115 |
| 1.9 TDI | 1896 cc | 045 109 243 A | '01 > '04 | VKM 11142 |
| 1.9 TDI | 1896 cc | 045 109 244 A | '01 > '04 | VKM 21142 |
| 1.9 TDi Diesel | 1Z/AHU - 1896 cc | 028109243 E | > 06/'94 | VKM 11014 |
| 1.9 TDi Diesel | 1Z/AHU - 1896 cc | 28109244 | > 06/'94 | VKM 21012 |
| 2.0 | AAE/ABK/ADW - 1984 cc | 048109243 A | | VKM 11001 |
| 2.0 | AAE/ABK/ADW - 1984 cc | 026109243 J | | VKM 11003 |
| 2.0 16 vál. | ACE - 1984 cc | 051109243 A | 06/'94 > 06/'95 | VKM 11021 |
| 2.0 16 vál. | ACE - 1984 cc | 51109243 | 07/'95 > 03/'97 | VKM 11020 |
| 2.3 | AAR - 2309 cc 5 cilindros | 54109479 | 06/'94 > 06/'96 | VKM 11050 |
| 2.4 | AFM - 2393 cc | 078109243 K | 07/'95 > 03/'97 | VKM 11201 |
| 2.4 | AFM - 2393 cc | 078109244 G | | VKM 21201 |
| 2.4 | AGA/AJG/ALF/APZ/APS/ARJ | 078109244 H | | VKM 21202 |
| 2.4 | 2393 cc | 078109243 Q ó R | '97 > '04 | VKM 11202 |
| 2.5 TDi Diesel | AFB/AKN - 2496 cc | 059109243 D | '97 > '04 | VKM 11150 |
| 2.5 TDi Diesel | AFB/AKN - 2496 cc | 059109243 F/G | '97 > '04 | VKM 11151 |
| 2.5 TDi Diesel | AFB/AKN - 2496 cc | 59109244 | '97 > '04 | VKM 21150 |
| 2.5 TDI | 2496 cc | 059 109 244 A | '00 > '04 | VKM 21151 |
| 2.6 | ABC/ACZ - 2598 cc | 078109243 K | | VKM 11201 |
| 2.6 | ABC/ACZ - 2598 cc | 078109244 G | | VKM 21201 |



Audi (cont.)

A6/S6 (cont.)

Tensor Poly - V

| | | | | |
|----------------|---------------|---------------|-----------|-----------|
| 1.8, 1.8T, 2.0 | 1595cc,1781cc | 058 903 133 D | '95 > '02 | VKM 31033 |
| 1.9 TDi Diesel | AUH/1Z | 028145278 E | '94 > '97 | VKM 31004 |
| 1.9 TDI | 1896 cc | 028 903 315 M | '97 > '02 | VKM 31034 |
| 2.5 TDI | 2496 cc | 059 903 341 | '97 > '02 | VKM 31038 |
| 2.5 TDI | 2496 cc | 059 145 276 | '97 > '02 | VKM 31039 |
| 2.5 TDI | 2496 cc | 059 260 523 A | '97 > '02 | VKM 31040 |
| 2.5 TDI | 2496 cc | 059 903 341 A | '97 > '02 | VKM 31041 |

A8/S8

Tensor de distribución

| | | | | |
|----------------|---------------------------|-----------------|-----------|-----------|
| 2.4 | 2393 cc | 078109243 Q ó R | '97 > '04 | VKM 11202 |
| 2.4 | 2393 cc | 078 109 244 H | '97 > '04 | VKM 21202 |
| 2.5 TDi Diesel | AFB/AKN - 2496 cc | 059109243 D | | VKM 11150 |
| 2.5 TDi Diesel | AFB/AKN - 2496 cc | 059109243 F/G | | VKM 11151 |
| 2.5 TDi Diesel | AFB/AKN - 2496 cc | 59109244 | | VKM 21150 |
| 2.5 TDI | 2496 cc | 059 109 244 A | '00 > '04 | VKM 21151 |
| 2.8 V6 | ACK/AEH/AEJ/ALG - 2771 cc | 078109243 C | | VKM 11200 |
| 2.8 V6 | ACK/AEH/AEJ/ALG - 2771 cc | 078109243 K | | VKM 11201 |
| 2.8 V6 | ACK/AEH/AEJ/ALG - 2771 cc | 078109244 C | | VKM 21052 |

Tensor Poly - V

| | | | | |
|---------|---------|---------------|-----------|-----------|
| 2.5 TDI | 2496 cc | 059 903 341 | '97 > '02 | VKM 31038 |
| 2.5 TDI | 2496 cc | 059 145 276 | '97 > '02 | VKM 31039 |
| 2.5 TDI | 2496 cc | 059 260 523 A | '97 > '02 | VKM 31040 |
| 2.5 TDI | 2496 cc | 059 903 341 A | '97 > '02 | VKM 31041 |

TT

Tensor de distribución

| | | | | |
|-------|---------|-------------|--------|-----------|
| 1.8 T | 1781 cc | 06B 109 243 | 98->04 | VKM 11115 |
| 1.8 T | 1781 cc | 06B 109 477 | 98->04 | VKM 21115 |

Tensor Poly - V

| | | | | |
|-------|---------|---------------|--------|-----------|
| 1.8 T | 1781 cc | 06A 903 315 E | 98->04 | VKM 31011 |
|-------|---------|---------------|--------|-----------|



BMW

Serie 3

Tensor de distribución

| | | | | |
|-----------------------|-------------------------|-------------|--------------|-----------|
| 1.6 (E30) / 1.8 (E30) | M40 - 1596 cc / 1795 cc | 11311721245 | '83 > 09/'91 | VKM 18000 |
| 1.6 (E30) / 1.8 (E30) | M40 - 1596 cc / 1795 cc | 11311721264 | '83 > 09/'91 | VKM 28000 |
| 1.6 (E30) / 1.8 (E30) | M40 - 1596 cc / 1795 cc | 11317709646 | '83 > 09/'91 | VKM 28001 |
| 1.6 (E30) / 1.8 (E30) | M40 - 1596 cc / 1795 cc | 11311727611 | 10/'91 > '93 | VKM 18001 |
| 1.6 (E30) / 1.8 (E30) | M40 - 1596 cc / 1795 cc | 11311721264 | 10/'91 > '93 | VKM 28000 |
| 1.6 (E30) / 1.8 (E30) | M40 - 1596 cc / 1795 cc | 11317709646 | 10/'91 > '93 | VKM 28001 |

Tensor Poly - V

| | | | | |
|---------------------|-------------------|-------------------------|---|-----------|
| 1.6 (E36) | M43 B16 - 1596 cc | 11281738061 | 07/'93 Alternador 70 A | VKM 38003 |
| 1.6 (E36)/1.8 (E36) | M43 B16 / M43 B18 | 11281748131/11281747051 | Alternador 70 A | VKM 38016 |
| 1.6 (E36) | M43 B16 - 1596 cc | 11281748131 | > 07/'93 Alternador 80 A | VKM 38004 |
| 1.8 (E36) | M43 B18 - 1796 cc | 11281738061 | > 12/'90 Alternador 70 A | VKM 38003 |
| 1.8 (E36) | M43 B18 - 1796 cc | 11281748131 | > 12/'90 Alternador 80 A | VKM 38004 |
| 1.8 (E36) | M42 B18 - 1796 cc | 11281738061 | > '91 Alternador 70 A | VKM 38003 |
| 1.8 (E36) | M42 B18 - 1796 cc | 11281748131 | > '91 Alternador 80 A | VKM 38004 |
| 2.0 (E36) | M50 B20 - 1991 cc | 11281738061 | > 09/'90 correa para alternador, tensión hidráulica | VKM 38003 |
| 2.0 (E36) | M50 B20 - 1991 cc | 11281748131/11281717188 | > 09/'90 correa para alternador, tensión hidráulica | VKM 38005 |
| 2.0 (E36) | M50 B20 - 1991 cc | 11281738061 | > 09/'90 correa para alternador, tensión mecánica | VKM 38003 |
| 2.0 (E36) | M50 B20 - 1991 cc | 11281748131/11281717210 | > 09/'90 C/ AC | VKM 38006 |
| 2.5 (E36) | M50 B25 - 1991 cc | 11281738061 | > 09/'90 correa para alternador, tensión hidráulica | VKM 38003 |
| 2.5 (E36) | M50 B25 - 1991 cc | 11281748131/11281717188 | > 09/'90 correa para alternador, tensión hidráulica | VKM 38005 |
| 2.5 (E36) | M50 B25 - 1991 cc | 11281738061 | > 09/'90 correa para alternador, tensión mecánica | VKM 38003 |
| 2.5 (E36) | M50 B25 - 1991 cc | 11281748131/11281717210 | > 09/'90 C/ AC | VKM 38006 |
| M3 (E36) | S50 B30 - 2990 cc | 11281738061 | > '92 | VKM 38003 |
| M3 (E36) | S50 B30 - 2990 cc | 11281748131/11281717188 | > '92 | VKM 38005 |

Serie 5

Tensor de distribución

| | | | | |
|--------------|----------------|-------------|--------------|-----------|
| 1.8 (E34) | M 40 - 1795 cc | 11311727611 | 10/'91 > '93 | VKM 18001 |
| 1.8 (E34) | M 40 - 1795 cc | 11311721264 | 10/'91 > '93 | VKM 28000 |
| 1.8 (E34) | M 40 - 1795 cc | 11317709646 | 10/'91 > '93 | VKM 28001 |
| 2.4 (E34) Td | M 21 - 2443 cc | 11312241090 | '88 > '92 | VKM 18120 |

Tensor Poly - V

| | | | | |
|-----------------------|-------------------|-------------------------|-------------------------|-----------|
| 2.0 (E34) / 2.5 (E34) | M50 B20 / M50 B25 | 11281738061 | > 09/'90 correa p/ alt. | VKM 38003 |
| 2.0 (E34) / 2.5 (E34) | M50 B20 - M50 B25 | 11281748131/11281717188 | > 09/'90 correa p/ alt. | VKM 38005 |
| 2.0 (E34) / 2.5 (E34) | M50 B20 - M50 B25 | 11281748131/11281717210 | > 09/'90 C/ AC | VKM 38006 |
| 2.4 Diesel/Td | M21D - 2443 cc | 11312242867 | > 09/'90 | VKM 38009 |



Citroën

Berlingo

Tensor de distribución

| | | | | |
|------------------|---|--------------------|---------|------------------------|
| 1.4 i y 1.8 | 1.4 Nafta motor TU3JP y 1.8 motor XU7JB | 0829.19 | 07/96 > | VKM 13100 |
| 1.8 y 1.9 Diesel | 1.8 D motor XUD7 y 1.9 D motor DW8 | 0829.33 | '96 > | VKM 13241 |
| 1.8 y 1.9 Diesel | 1.8 D motor XUD7 y 1.9 D motor XUD10 | 0830.13 | | VKM 23241 |
| 2.0 Hdi | 2.0 HDi motor DW10 ATD, 1.8 DW 8 | 0829.59 0830.29 | | VKM 13244 VKM 23244 |

Tensor Poly - V

| | | | | |
|------------------|--------------------------------------|--------------------|--------------------------|------------------------|
| 1.4 i | 1.4i motor TU3JP | 6453 S5 | '96 > | VKM 33012 |
| 1.8 i | 1.8i motor XU7JB | 5751.18 | '96 > | VKM 33003 |
| 1.8 nafta | 1.8 motor XU7JB | 5751.35 | Tensor automático | VKM 03001 |
| 1.8 nafta | 1.8 motor XU7JB | 5751.20 | '97 > '04 | VKM 03011 |
| 1.8 y 1.9 Diesel | 1.8 D motor XUD7 y 1.9 D motor XUD9A | 5751.29 5751.38 | '97 > | VKM 33013 VKM 33002 |
| 1.9 Diesel | Motor DW8 51 KW | 5751.46 | '98 > | VKM 33017 |
| 1.9 Diesel | Motor DW8 51 KW | 5751.74 | Tensor automático, '98 > | VKM 03030 |
| 1.9 Diesel | Motor DW8 51 KW | 5751.73 | | VKM 03029 |
| 2.0 Hdi | Motor DW10 66 KW | 5751.55 | Tensor automático | VKM 03028 |
| 2.0 Hdi | Motor DW10 66 KW | 5751.57 | Tensor fijo | VKM 03069 |

C3

Tensor de distribución

| | | | | |
|-------------|---------------|--------------------|----------------|------------------------|
| 1.4 HDI | DV4TD 1398 cc | 0829.11 | '02 > | VKM 13240 |
| 1.4 HDI | DV4TD 1398 cc | 0830.48 | '02 > | VKM 23140 |
| 1.4 i X/ SX | 1360 cc TU3JP | 0829.90 | '02 > | VKM 13253 |
| 1.6 16 vál. | 1587cc TU5JP4 | 0829.A0 0829.A1 | '02 > '02 > | VKM 13256 VKM 23256 |

Tensor Poly - V

| | | | | |
|-------------|---------------|---------|-------|-----------|
| 1.4 Hdi | DV4TD 1398 cc | 5751.86 | '02 > | VKM 33043 |
| 1.4 Hdi | DV4TD 1398 cc | 5751.87 | '02 > | VKM 33044 |
| 1.4 i X/ SX | 1360 cc TU3JP | 5751.91 | '02 > | VKM 33042 |
| 1.6 16 vál. | 1587cc TU5JP4 | 5751.91 | '02 > | VKM 33042 |

C5

Tensor de distribución

| | | | | |
|-------------|----------------|--------------|------|-----------|
| 2.0 16 vál. | 1997 cc EW10J4 | 0829.A7/8/9 | '01> | VKM 13234 |
| 2.0 16 vál. | 1997 cc EW10J4 | 0830.42 | '01> | VKM 23230 |
| 2.0 Hdi | 1997 cc ATED | 0829.62 | '01> | VKM 13246 |
| 2.0 Hdi | 1997 cc ATED | 0830.31 | '01> | VKM 23246 |
| 3.0 V6 | 2996 cc ES9A | 0823.08/9/10 | '01> | VKM 13902 |
| 3.0 V6 | 2996 cc ES9A | 0830.24 | '01> | VKM 23900 |
| 3.0 V6 | 2996 cc ES9A | 0830.25 | '01> | VKM 23901 |



Citroën (cont.)

Saxo

Tensor de distribución

| | | | | |
|------------------|---|---------|-------|-----------|
| 1.0,1.1,1.4, 1.6 | Motor 1.0 TU9, 1.1 TU1, 1.4 TU3 y 1.6 TU5 | 0829.19 | '96 > | VKM 13100 |
| 1.6 16 vál. | 1.6 16 vál. Motor TU5JP4 | 0829.49 | '96 > | VKM 13130 |
| 1.6 16 vál. | 1.6 16 vál. Motor TU5JP5 | 0830.20 | '96 > | VKM 23130 |
| 1.5 Diesel | 1.5 D motor TUD5 | 0829.30 | '96 > | VKM 13120 |
| 1.5 Diesel | 1.5 D motor TUD5 | 0830.11 | '96 > | VKM 23120 |

Tensor Poly - V

| | | | | |
|------------|-------------------------|---------|--|-----------|
| Nafta | Todos los modelos nafta | 6453 S5 | | VKM 33012 |
| 1.5 Diesel | 1.5 D motor TUD5 | 5751.26 | | VKM 33009 |

Xantia

Tensor de distribución

| | | | | |
|------------------------|---|----------|-----------|-----------|
| 1.6i, 1.8, 2.0 y 2.0 T | 1.6i XU5, 1.8 XU7, 2.0 XU10J2 y 2.0 T XU10J2T | 0829.19 | | VKM 13100 |
| 1.8 16 vál. | 1.8 16 vál. XU7JP4 | 0829.32 | | VKM 13202 |
| 1.8 16 vál. | 1.8 16 vál. XU7JP4 | 0830.11 | | VKM 23120 |
| 1.8 16 vál. | 1.8 16 vál. XU7JP4 | 0830.14 | > '98 | VKM 23213 |
| 1.9 Diesel y Td | 1.9 D/TD XUD9 | 0829.33 | | VKM 13241 |
| 1.9 Diesel y Td | 1.9 D/TD XUD9 | 0830.13 | | VKM 23241 |
| 2.0 16 vál. | 2.0 16 vál. XU10J4 | 91538722 | '93 > '95 | VKM 13210 |
| 2.0 16 vál. | 2.0 16 vál. XU10J4 | 0829.31 | '93 > '95 | VKM 13211 |
| 2.0 16 vál. | 2.0 16 vál. XU10J4R | 0829.32 | '96 | VKM 13202 |
| 2.0 16 vál. | 2.0 16 vál. XU10J4R | 0830.14 | > '96 | VKM 23213 |
| 2.0 HDi | 2.0 HDi DW10 | 0829.60 | | VKM 13244 |
| 2.0 HDi | 2.0 HDi DW10 | 0830.29 | | VKM 23244 |
| 2.1 Td | 2.1 TD XUD11.T | 0818.19 | | VKM 13250 |
| 2.1 Td | 2.1 TD XUD11.T | 0830.14 | | VKM 23213 |
| 3.0 V 6 24 vál. | 3.0 V 6 24 vál. ES9J4 | 0823.07 | | VKM 13900 |
| 3.0 V 6 24 vál. | 3.0 V 6 24 vál. ES9J4 | 0830.26 | | VKM 23900 |
| 3.0 V 6 24 vál. | 3.0 V 6 24 vál. ES9J4 | 0830.27 | | VKM 23901 |

Tensor Poly - V

| | | | | |
|---------------------------|---------------------------------|---------|-------------------|------------|
| 1.6, 1.8 y 2.0 | 1.6, 1.8 y 2.0 | 5751.18 | '93 >, S/ AA | VKM 33003 |
| 1.6, 1.8, 2.0 8 y 16 vál. | XU5JP, XU7JP/JP4, XU10J2/J4/J4R | 5751.35 | '96 > | VKM 03001 |
| 2.0 16 vál. | XU10J4R | 5751.34 | '95 > | VKM 03010 |
| 1.9 Diesel / Td y 2.1 TD | 1.9 D/TD y 2.1 TD | 5751.38 | C/ AA | VKM 33002 |
| 1.9 Diesel / Td y 2.1 TD | 1.9 D/TD y 2.1 TD | 5751.24 | C/ AA | VKM 33008H |
| 1.9 Diesel / Td y 2.1 TD | 1.9 D/TD XUD9A y 2.1 TD XUD11BT | 5751.29 | | VKM 33013 |
| 2.0 HDi | DW10 | 5751.55 | Tensor automático | VKM 03028 |



Citroën (cont.)

Xsara

Tensor de distribución

| | | | | |
|--------------------|---------------------------------|---------|-------|------------------------|
| 1.4 i y 1.6 | 1.4 i TU3JP y 1.6 TU5JP (NFZ) | 0829.19 | | VKM 13100 |
| 1.6 16V | 1587 cc TU5JP4 | 0830.20 | '00 > | VKM 23130 |
| 1.8 i | 1.8 XU7 | 0829.29 | | VKM 13100 |
| 1.8 16 vál. | XU7JP4 (LFY) | 0829.62 | '97 > | VKM 13214 |
| 1.8 16 vál. | XU7JP4 (LFY) | 0830.11 | '97 > | VKM 23214 |
| 2.0 16 vál. | XU10J4R (RFS) | 0829.32 | '97 > | VKM 13202 |
| 2.0 16 vál. | XU10J4R (RFS) | 0830.14 | '97 > | VKM 23213 |
| 2.0 16 vál. | 2.0 16 vál. EW10J4 | 0830.42 | '00 > | VKM 23230 |
| 1.8, 1.9 Diesel/Td | 1.8, 1.9 D y TD | 0829.33 | '97 > | VKM 13241 |
| 1.8, 1.9 Diesel/Td | 1.8, 1.9 D y TD | 0830.13 | '97 > | VKM 23241 |
| 1.9 y 2.0 HDi | 1.9 HDi DW8 / 2.0 HDi DW10TD | 0829.60 | '99 > | VKM 13244 VKM 13246 |
| 1.9 y 2.0 HDi | 1.9 HDi DW8 / 2.0 HDi DW10TD | 0830.29 | '99 > | VKM 23244 VKM 23246 |

Tensor Poly - V

| | | | | |
|---------------------------|------------------------------------|---------|--------------------------|-----------|
| 1.4 i | 1.4i TU3JP / TUSJP | | | VKM 33037 |
| 1.4, 1.6, 1.6 16V | 1360, 1587 cc | 5751.51 | '97 > | VKM 33023 |
| 1.8 i | 1.8i XU7JB | 5751.18 | S/ AA, '97 > '04 | VKM 33003 |
| 1.6, 1.8, 2.0 8 y 16 vál. | XU5JP, XU7JP/JP4, XU10J2/J4/J4R | 5751.35 | Tensor automático, '97 > | VKM 03001 |
| 1.8 nafta | 1.8 motor XU7JB/JP | 5751.20 | '97 > | VKM 03011 |
| 1.8 16 vál. nafta | XU7JP4 81 KW | 5751.36 | '97 > | VKM 03008 |
| 1.9 Diesel y Td | 1.9 D y TD XUD9A/TE | 5751.38 | '99 > | VKM 33002 |
| 1.9 Diesel | DW8 51 KW | 5751.74 | Tensor automático, '98 > | VKM 03030 |
| 1.9 Diesel | DW8 51 KW | 5751.73 | '98 > | VKM 03029 |
| 2.0 16 vál. nafta | XU10J4R/RS 120 KW | 5751.34 | '97 > | VKM 03010 |
| 2.0 Hdi. | DW10 66 KW | 5751.55 | Tensor automático, '99 > | VKM 03028 |
| 2.0 Hdi | DW10 66 KW | 5751.57 | '99 > | VKM 03069 |

Xsara Picasso

Tensor de distribución

| | | | | |
|----------|---------------|-------------|-------|-----------|
| 2.0 HDI | 1997cc DW10TD | 0829.59 | '00 > | VKM 13244 |
| 2.0 HDI | 1997cc DW10TD | 0830.28 | '00 > | VKM 23244 |
| 2.0i 16V | 1997cc TU5JP | 0829.A7/8/9 | '03 > | VKM 13234 |
| 2.0i 16V | 1997cc TU5JP | 0830.42 | '03 > | VKM 23230 |

ZX

Tensor de distribución

| | | | | |
|------------------|-----------------------|---------|-------|-----------|
| 1.8 y 1.9 Diesel | 1.9 Diesel XUD9 | 0829.11 | > '93 | VKM 13240 |
| 1.8 y 1.9 Diesel | 1.9 Diesel XUD9 | 0830.02 | > '94 | VKM 23240 |
| 1.9 Diesel/Td | 1.9 D/TD XUD9 y XUD9T | 0829.33 | > '94 | VKM 13241 |
| 1.9 Diesel/Td | 1.9 D/TD XUD9 y XUD9T | 0830.13 | > '95 | VKM 23241 |

Tensor Poly - V

| | | | | |
|--------------------|--------------|---------|--------------------------|------------|
| 1.8, 1.9 Diesel/Td | 1.8/1.9 D/TD | 5751.38 | C/ AC y dir. de potencia | VKM 33002 |
| 1.8, 1.9 Diesel/Td | 1.8/1.9 D/TD | 5751.24 | C/ AC y dir. de potencia | VKM 33008H |



Daewoo

Cielo

Tensor de distribución

| | | | | |
|-----------|----------------------------|------------|--------------|-----------|
| 1.5 | (DOHC) - 1500 cc | 5094008601 | '94 > 01/'96 | VKM 70000 |
| 1.5 | (DOHC) - 1500 cc | 96350526 | '94 > 01/'96 | VKM 80000 |
| 1.5 y 1.8 | (SOHC) - 1500 cc y 1800 cc | 90499401 | | VKM 15121 |

Damas

Tensor de distribución

| | | | | |
|-------------|---------------|-------------|-------|-----------|
| 0.8 (Y7T11) | F8CL - 800 cc | 12810A81400 | '90 > | VKM 76102 |
|-------------|---------------|-------------|-------|-----------|

Espero

Tensor de distribución

| | | | | |
|-----------|--|------------|--------------|-----------|
| 1.5 | (DOHC) - 1500 cc | 5094008601 | '91 > 06/'96 | VKM 70000 |
| 1.5 | (DOHC) - 1500 cc | 96350526 | '91 > 06/'96 | VKM 80000 |
| 1.5 y 1.6 | 1.5 MPI (SOHC) 1500 cc y 1.6 LPG (SOHC) 1600 cc | 90499401 | '91 > 06/'96 | VKM 15121 |
| 1.8 | 1.8 MPFI (SOHC) 1800 cc | 93202400 | '95 > '96 | VKM 70001 |
| 2.0 | 2.0 MPFI (SOHC) 1800 cc | 93202400 | '91 > '96 | VKM 70001 |

Lanos / Nubira

Tensor de distribución

| | | | | |
|-----|------------------|------------|------------------|-----------|
| 1.5 | (DOHC) - 1500 cc | 5094008601 | 09/'96 > 10/'97 | VKM 70000 |
| 1.5 | (DOHC) - 1500 cc | 96350526 | 09/'96 > 10/'97 | VKM 80000 |
| 1.5 | (SOHC) - 1500 cc | 90499401 | 09/'96 > 10/'97 | VKM 15121 |
| 1.6 | (DOHC) - 1500 cc | 5094008601 | 09/'96 > 10/'97 | VKM 70000 |
| 1.6 | (DOHC) - 1500 cc | 96350526 | 09/'96 al 10/'97 | VKM 80000 |

Matiz

Tensor de distribución

| | | | | |
|----------|--------|-------------|-------|-----------|
| 0.8 FOCL | 800 cc | 12810-81400 | '98 > | VKM 76102 |
|----------|--------|-------------|-------|-----------|

Tico

Tensor de distribución

| | | | | |
|-------------|--------------|-------------|-------|-----------|
| 0.8 (Y3S11) | F8C - 800 cc | 12810A81400 | '93 > | VKM 76102 |
|-------------|--------------|-------------|-------|-----------|

Daihatsu

Applause

Tensor de distribución

| | | | | |
|------------------|--------------|-------------|--------------|-----------|
| 1.6 (A101, A111) | HD - 1600 cc | 13505-87102 | '89 > 05/'94 | VKM 77500 |
|------------------|--------------|-------------|--------------|-----------|

Cuore

Tensor de distribución

| | | | | |
|------------|-------------|-------------|-----------------|-----------|
| 0.9 (L201) | ED - 850 cc | 13505-87203 | 06/'90 > 03/'94 | VKM 77401 |
|------------|-------------|-------------|-----------------|-----------|

Feroza

Tensor de distribución

| | | | | |
|-----------------|--------------------|-------------|--|-----------|
| 1.6 (F300,F310) | HDC, HDE - 1600 cc | 13505-87102 | | VKM 77500 |
|-----------------|--------------------|-------------|--|-----------|

Mira

Tensor de distribución

| | | | | |
|------------|-------------|-------------|-----------------|-----------|
| 0.9 (L201) | ED - 850 cc | 13505-87203 | 06/'90 > 03/'94 | VKM 77401 |
|------------|-------------|-------------|-----------------|-----------|

Rocky

Tensor de distribución

| | | | | |
|-------------|---------------|-------------|--|-----------|
| 1.6 (F300S) | HDE - 1600 cc | 13505-87102 | | VKM 77500 |
|-------------|---------------|-------------|--|-----------|



Fiat

Barchetta

Tensor de distribución

| | | | | |
|-------------|-------------|----------|-------|-----------|
| 1.8 16 vál. | 1.8 16 vál. | 60612624 | '95 > | VKM 22173 |
| 1.8 16 vál. | 1.8 16 vál. | 60812622 | '95 > | VKM 12173 |

Tensor Poly - V

| | | | | |
|-------------|-------------|---------------------|-------------------|-----------|
| 1.8 16 vál. | 1.8 16 vál. | 60610908 | '95 > | VKM 32001 |
| 1.8 16 vál. | | 46442999 / 46524692 | Tensor automático | VKM 02000 |
| 1.6 16 vál. | | 55184055 | '95 > | VKM 32026 |

Brava/ Bravo

Tensor de distribución

| | | | | |
|-------------------|-------------------|----------|-------|-----------|
| 1.6 16 vál. | 1.6 16 vál. | 46400054 | '95 > | VKM 22242 |
| 1.6 16 vál. | 1.6 16 vál. | 46416489 | '95 > | VKM 12242 |
| 1.8 y 1.8 16 vál. | 1.8 y 1.8 16 vál. | 60812624 | '95 > | VKM 22173 |
| 2.0 Nafta 20 vál. | 2.0 N 20 vál. | 7763644 | '95 > | VKM 22174 |
| 2.0 Nafta 20 vál. | 2.0 N 20 vál. | 7772961 | '95 > | VKM 12172 |
| 1.9 Diesel | 1.9 diesel | 7596728 | '95 > | VKM 12153 |
| 1.9 Diesel | 1.9 diesel | 7596727 | | VKM 22153 |
| 1.9 TD y JTD | 1.9 Td | 7778565 | | VKM 12174 |
| 1.9 TD y JTD | 1.9 Td | 7763644 | | VKM 22174 |
| 1.9 JTD | 1910 cc | 55187100 | '98 > | VKM 22179 |

Tensor Poly - V

| | | | | |
|---------------------------------|---------------------|---------------------|-------------------|-----------|
| 1.8 ELX / HLX | 1.8 N | 60610908 | C/ AA, DH | VKM 32001 |
| 2.0 HLX | 2.0 N y 2.0 16 vál. | 46440604 | S/ AA | VKM 32005 |
| 2.0 HLX | 2.0 N 20 vál. | 7740252 | C/ AC | VKM 32002 |
| 2.0 HLX | 2.0 N | 46441096 | | VKM 32015 |
| 1.9 TD | 1.9 Td | 46454419 | | VKM 32006 |
| 1.4 8 vál., 1.8 16 vál., 1.9 Td | | 46442999 / 46524692 | Tensor automático | VKM 02000 |
| 1.9 Diesel | | 46439471 | | VKM 02034 |
| 1.9 Td, 1.9 JTD | | 46546374 | Tensor automático | VKM 02027 |
| 2.0 20 vál. HGT | | 46440604 | | VKM 02023 |

Brio, Duna, Spazio, Uno, Vivace, 147

Tensor de distribución

| | | | | |
|-----------------------------|----------------------|---------|------------------------|-----------|
| BRIO 1.1 Nafta | 1.1 N | 4320893 | Polea móvil | VKM 12100 |
| BRIO 1.3 Nafta | 1.3 N | 5997325 | Polea móvil | VKM 12101 |
| Duna Weekend SCR 1.6 Nafta | 1.6 N motor TIPO | 5972277 | Polea móvil | VKM 12200 |
| Duna Weekend SDV 1.7 Diesel | 1.7 D | 7553565 | Polea fija | VKM 22151 |
| Duna Weekend SDV 1.7 Diesel | 1.7 D | 7553564 | Polea móvil | VKM 12151 |
| Duna 1.3 Diesel | 1.3 D | 5952181 | Polea Fija | VKM 22630 |
| Duna 1.3 Diesel | 1.3 D | 4438894 | Polea móvil | VKM 12630 |
| Duna 1.3 Nafta | 1.3 N | 4027068 | Polea móvil, '86 > '90 | VKM 12100 |
| Duna 1.4 y 1.6 Nafta | 1.4 y 1.6 motor TIPO | 5972277 | Polea móvil | VKM 12200 |
| Duna 1.5 Nafta | 1.5 N | 4386575 | Polea móvil | VKM 12003 |
| Duna 1.7 Diesel | 1.7 D | 7553565 | Polea fija | VKM 22151 |
| Duna 1.7 Diesel | 1.7 D | 7553564 | Polea móvil, > '86 | VKM 12151 |
| Spazio y 147 1.3 diesel | 1.3 D | 5952181 | Polea fija | VKM 22630 |
| Spazio y 147 1.3 diesel | 1.3 D | 4438894 | Polea móvil | VKM 12630 |



Fiat (cont.)

Brio, Duna, Spazio, Uno, Vivace, 147 (cont.)

Tensor de distribución (cont.)

| | | | | |
|------------------------|----------------------|---------|---------------------|-----------|
| Spazio y 147 1.4 Nafta | 1.4 N motor TIPO | 5972277 | Polea móvil | VKM 12200 |
| Uno 1.4 y 1.6 Nafta | 1.4 y 1.6 motor TIPO | 5972277 | Polea móvil, > '89 | VKM 12200 |
| Uno 1.5 Nafta | 1.5 N | 5997325 | Polea móvil, 89 >93 | VKM 12101 |
| Uno 1.7 Diesel y Td | 1.7 D | 7553565 | Polea fija | VKM 22151 |
| Uno 1.7 Diesel y Td | 1.7 D | 7553564 | Polea móvil | VKM 12151 |

Tensor Poly - V

| | | | | |
|------------|------------|---------|-------------------|-----------|
| Uno / Duna | 1.7 D y TD | 7641011 | Todos los modelos | VKM 32009 |
|------------|------------|---------|-------------------|-----------|

Coupe

Tensor de distribución

| | | | | |
|-------------|-------------------------------------|----------|-------|-----------|
| 1.8 16 vál. | Motor 1.8 16 vál. | 60812624 | '98 > | VKM 22173 |
| 1.8 16 vál. | Motor 1.8 16 vál. | 60812622 | '98 > | VKM 12173 |
| 2.0 16 vál. | Motor 2.0 16 vál. | 60805833 | '98 > | VKM 12101 |
| 2.0 20 vál. | Motor 2.0 20 vál. y 20 Val Turbo | 7772961 | '98 > | VKM 12172 |
| 2.0 20 vál. | Motor 2.0 20 vál. y 20 Val Turbo | 7763644 | '98 > | VKM 22174 |

Tensor Poly - V

| | | | | |
|-------------|-------------------|----------|-------|-----------|
| 1.8 16 vál. | Motor 1.8 16 vál. | 60610908 | '98 > | VKM 32001 |
| 2.0 20 vál. | Motor 2.0 20 vál. | 46441096 | '98 > | VKM 32015 |
| 2.0 20 vál. | Motor 2.0 20 vál. | 7740252 | '98 > | VKM 32002 |

Ducato

Tensor de distribución

| | | | | |
|-----------------|-------------------------|------------|--------------------|-----------|
| 1.9 Diesel | 1.9 D | 7596728 | Polea móvil | VKM 12153 |
| 1.9 Diesel | 1.9 D | 7596727 | Polea fija | VKM 22153 |
| 1.9 Diesel y Td | 1.9 D(DJY), 1.9TD (DHX) | 9617188680 | | VKM 13241 |
| 1.9 Diesel y Td | 1.9 D(DJY), 1.9TD (DHX) | 9617541380 | | VKM 23241 |
| 2.5 Diesel y Td | 2.5 D y TD SOFIM | 4740846 | Polea móvil, > '81 | VKM 22385 |
| 2.5 Diesel y Td | 2.5 D y TD SOFIM | 4740847 | Polea fija, > '81 | VKM 22380 |

Tensor Poly - V

| | | | | |
|-------------------|----------------|------------|-------------------|-----------|
| 2.0 JTD | Motor RHV DW10 | 9636355180 | Tensor automático | VKM 03028 |
| 2.0 JTD | Motor RHV DW10 | 9636782780 | Tensor automático | VKM 03030 |
| 2.5 D/TD, 2.8 JTD | | 500344132 | | VKM 02026 |

Europa, Supereuropa, 128

Tensor de distribución

| | | | | |
|-----------------|------------|---------|------------------------|-----------|
| 1.1 y 1.3 Nafta | 1.1; 1.3 N | 4385583 | Polea móvil, '76 > '78 | VKM 12100 |
| 1.5 Nafta | 1.5 N | 4386575 | Polea móvil | VKM 12003 |

Fiorino

Tensor de distribución

| | | | | |
|------------|---------|-----------------|--------------------|------------------------|
| 1.3 Diesel | 1.3 D | 5952181 | Polea fija | VKM 22630 |
| 1.3 Diesel | 1.3 D | 4438894 | Polea móvil | VKM 12630 |
| 1.3 Nafta | 1242 cc | 5972277 | '02 > | VKM 12200H |
| 1.4 Nafta | 1.4 N | 5972277 | Polea móvil | VKM 12200 |
| 1.7 Diesel | 1.7 D | 7553565 | Polea fija, > '88 | VKM 22151 |
| 1.7 Diesel | 1.7 D | 7553564 | Polea móvil, > '88 | VKM 12151 |
| 1.7 TD | 1698 cc | 7553564/7553564 | '02 > | VKM 12151 VKM 22151 |



Fiat (cont.)

Marea

Tensor de distribución

| | | | |
|--------------------------------------|--------------------------------------|----------|-----------|
| 1.6 16 vál. | 1.6 16 vál. | 46416489 | VKM 12242 |
| 1.6 16 vál. | 1.6 16 vál. | 46400054 | VKM 22242 |
| 1.8 16 vál. | 1.8 16 vál. | 60812624 | VKM 22173 |
| 2.0 20 vál. | 2.0 20 vál. | 7772961 | VKM 12172 |
| 2.0 20 vál. | 2.0 20 vál. | 7763644 | VKM 22174 |
| 1.9 TD; 1.9 JTD; 2.4 TD y 2.4 JTD | 1.9 TD; 1.9 JTD; 2.4 TD y 2.4 JTD | 7778565 | VKM 12174 |
| 1.9 TD; 1.9 JTD; 2.4 TD y 2.4 JTD | 1.9 TD; 1.9 JTD; 2.4 TD y 2.4 JTD | 55187100 | VKM 22179 |
| | | 7763644 | VKM 22174 |

Tensor Poly - V

| | | | |
|-----------------|------------------------|-------------------|-----------------------------|
| 1.8 ELX / HLX | 1.8 N | 60610908 | VKM 32001 |
| 2.0 HLX | 2.0 N 20 vál. | 46440604 | VKM 32005 |
| 2.0 HLX | 2.0 N 20 vál. | 46441096 | VKM 32015 |
| 2.0 HLX | 2.0 N 20 vál. | 7740252 | C/ AC VKM 32002 |
| 2.4 Td | 2.4 TD Motor 185A2.000 | 7788010 | VKM 32004 |
| 1.9 Td | 1.9 Td 55 y 74 KW | 46442999/46524692 | Tensor automático VKM 02000 |
| 1.6 16 vál. | | 46424716 | VKM 02032 |
| 2.0 20 vál. HGT | | 46440604 | VKM 02023 |

Multipla

Tensor de distribución

| | | | |
|-------------|-------------------|----------|-----------------|
| 1.6 16 vál. | Motor 1.6 16 vál. | 46416489 | VKM 12242 |
| 1.6 16 vál. | Motor 1.6 16 vál. | 46400054 | VKM 22242 |
| 1.9 JTD | Motor 1.9 JTD | 60813590 | VKM 22174 |
| 1.9 JTD | Motor 1.9 JTD | 7778565 | VKM 12174 |
| 1.9 JTD | 1910 cc | 55187100 | '98 > VKM 22179 |

Palio, Siena

Tensor de distribución

| | | | |
|---------------|-----------------|----------|-------------------------------|
| 1.3 16V | 1242 cc | 46403679 | '03 > VKM 12201 |
| 1.6 Nafta SPI | 1.6 N motor SPI | 5972277 | Polea móvil, > '97 VKM 12200H |
| 1.6 16 vál. | 1.6 16 vál. | 46400054 | VKM 22242 |
| 1.6 16 vál. | 1.6 16 vál. | 46416489 | VKM 12242 |
| 1.7 Diesel | 1.7 D | 7553564 | Polea móvil, > '97 VKM 12151 |
| 1.7 Diesel | 1.7 D | 7553565 | Polea fija, > '97 VKM 22151 |

Tensor Poly - V

| | | | |
|----------------------|--------|----------|--------------------------------------|
| 1.7 Diesel | 1.7 D | 7702173 | VKM 32009 |
| 1.7 Td | 1.7 Td | 60610908 | VKM 32001 |
| 1.7 Td | | 7749452 | VKM 32011 |
| Todos nafta y diesel | | 46424716 | Alternador y bomba de agua VKM 02032 |



Fiat (cont.)

Regatta 85, Weekend, 100 S

Tensor de distribución

| | | | | |
|------|------------------|---------|-----------------------------|-----------|
| 2000 | 2.0 Motor Lancia | 5956109 | Polea móvil | VKM 12005 |
| 85 | 85 | 4386575 | Polea móvil, '83 > '85 S/AC | VKM 12003 |
| 85 | 85 | 5997325 | Polea móvil, '86 >'89 C/AC | VKM 12101 |

Stilo

Tensor de distribución

| | | | | |
|------------------|---------|-------------------|-------|-----------|
| 1.8 16V | 1747 cc | 60652477 | '01 > | VKM 12182 |
| 1.8 16V | 1747 cc | 60664403/60664403 | '01 > | VKM 22177 |
| 1.9 JTD /JTD 16V | 1910 cc | 60813592 | '01 > | VKM 12174 |
| 1.9 JTD /JTD 16V | 1910 cc | 55187100 | '01 > | VKM 22179 |

Tempra 2.0, Tempra 16 V. 2.0

Tensor de distribución

| | | | | |
|-------------------|-----------------------------|---------|--------------------|-----------|
| 1.6 Nafta | 1.6 N | 5972277 | Polea móvil, > '90 | VKM 12200 |
| 1.8 Nafta | 1.8 N correa de 139 dientes | 5956109 | Polea móvil, > '90 | VKM 12005 |
| 1.8 Nafta | 1.8 N correa de 142 dientes | 7541718 | | VKM 12227 |
| 2.0 16 vál. Nafta | 2.0 16 vál. | 5997325 | | VKM 12101 |
| 2.0 Nafta | 2.0 N | 7541718 | | VKM 12227 |
| 1.9 Diesel y Td | 1.9 D yTd | 7596728 | Polea móvil, > '90 | VKM 12153 |
| 1.9 Diesel y Td | 1.9 D yTd | 7596727 | Polea fija, > '90 | VKM 22153 |

Tensor Poly - V

| | | | | |
|-----------------|----------|---------|------------------------|-----------|
| 1.9 Diesel y Td | 1.9 D/TD | 7554724 | Hasta motor N° 0953304 | VKM 32016 |
| 1.9 Diesel y Td | 1.9 D/TD | 7641011 | Desde motor N° 0953305 | VKM 32009 |

Tipo 1.4; 1.6 y 1.7 D

Tensor de distribución

| | | | | |
|-----------------------------|------------------------------|---------|--------------------|-----------|
| 1.4 y 1.6 Nafta | 1.4 y 1.6 N (SOHC) | 5972277 | Polea móvil, > '88 | VKM 12200 |
| 1.6 Nafta | 1.6 (DOHC) | 5956109 | | VKM 12005 |
| 1.7 Diesel; 1.9 Diesel y Td | 1.7 D; 1.9 D y TD | 7596728 | Polea móvil, > '88 | VKM 12153 |
| 1.7 Diesel; 1.9 Diesel y Td | 1.7 D; 1.9 D y TD | 7596727 | Polea fija | VKM 22153 |
| 1.8 ie (160AM) | 1.8 ie correa de 142 dientes | 5956109 | '90 > '93 | VKM 12005 |
| 1.8 ie (160AY/ED/EM/FD) | 1.8 ie correa de 139 dientes | 7541718 | > '90 | VKM 12227 |
| 1.8 16 vál. | 1.8 16 vál. | 5997325 | | VKM 12101 |
| 2.0 ie | 2.0 ie. | 7541718 | | VKM 12227 |
| 2.0 ie 16 vál. | 2.0 ie 16 vál. | 5997325 | | VKM 12101 |

Tensor Poly - V

| | | | | |
|------------------------|---------------|---------|------------------------|-----------|
| 1.4, 1.4 ie S/SX Nafta | 1.4, 1.4 ie N | 7641011 | | VKM 32009 |
| 1.6, 1.6 ie S/SX Nafta | 1.6, 1.6 ie N | 7641011 | | VKM 32009 |
| 1.7 Diesel | 1.7 D | 7641011 | Desde motor N° 0953305 | VKM 32009 |
| 1.9 Diesel y Td S/SX | 1.9 D, TD | 7641011 | Desde motor N° 0953305 | VKM 32009 |
| 1.7 Diesel | 1.7 D | 7554724 | Hasta motor N° 0953304 | VKM 32016 |
| 1.9 Diesel y Td S/SX | 1.9 D, TD | 7554724 | Hasta motor N° 0953304 | VKM 32016 |

Uno

Tensor de distribución

| | | | | |
|-----------|---------|---------|-------|------------|
| 1.3 Nafta | 1242 cc | 5972277 | '02 > | VKM 12200H |
|-----------|---------|---------|-------|------------|



Ford

Courier

Tensor de distribución

| | | | | |
|------------|------------|---------|-------------------------------|-----------|
| 1.8 Diesel | 1.8 D D18 | 6497120 | Polea móvil, > 10/95 | VKM 14100 |
| 1.8 Diesel | 1.8 D D18N | 1005516 | Polea móvil, > '95 | VKM 14105 |
| 1.8 Diesel | 1.8 D D18 | 6988203 | Polea loca de bomba inyectora | VKM 14103 |
| 1.8 Diesel | 1.8 D D18 | 6177882 | Polea fija | VKM 24100 |

Tensor Poly - V

| | | | | |
|------------|-----------|---------|---------------------|-----------|
| 1.8 Diesel | 1.8 D D18 | 6616951 | S/ dir. de potencia | VKM 34002 |
| 1.8 Diesel | 1.8 D D18 | 6616952 | C/ dir. de potencia | VKM 34003 |

Escort / Orion

Tensor de distribución

| | | | | |
|-----------------|------------------------------|--------------|-------------------------------|-------------|
| 1.6 y 1.8 Nafta | Motor AUDI 827 | 026109243 | Polea móvil, > '95 | VKM 11000 |
| 1.6 16 vál. | 1.6 16V N motor ZH16 Zetec E | 6635941 | | VKM 14210 |
| 1.6 16 vál. | 1.6 16V N motor ZH16 Zetec E | 6635942 | | VKM 24210 H |
| 1.6 16 vál. | 1.6 16V N motor ZH16 Zetec E | 6744307 | | VKM 24211 |
| 1.8 16 vál. | 1.8 16V N motor ZH18 Zetec E | 6635941 | | VKM 14210 |
| 1.8 16 vál. | 1.8 16V N motor ZH18 Zetec E | 6635842 | | VKM 24210 H |
| 1.8 16 vál. | 1.8 16V N motor ZH18 Zetec E | 6744307 | | VKM 24211 |
| 1.8 Diesel / Td | 1.8 D y TD motor D18 | 6497120 | Polea móvil, > '95 | VKM 14100 |
| 1.8 Diesel / Td | 1.8 D y TD motor D18 | 6777882 | Polea loca de bomba inyectora | VKM 14103 |
| 1.8 Diesel / Td | 1.8 D y TD motor D18 | 6177882 | Polea fija, > '97 | VKM 24100 |
| 1.8 Diesel / Td | 1.8 D y TD motor D18 | 1005516 | '95 > '97 | VKM 14105 |
| 1.8 Diesel y Td | 1.8 D y TD motor D18 | 97FF6K254 CA | > '97 | VKM 14107 |
| 1.8 Diesel y Td | 1.8 D y TD motor D18 | 97FF6K254 DC | > '97 | VKM 24107 |

Tensor Poly - V

| | | | | |
|-----------------|----------------------|---------|---------------------|-----------|
| 1.8 Diesel y Td | 1.8 D y TD motor D18 | 6616951 | S/ Dir. de potencia | VKM 34002 |
| 1.8 Diesel y Td | 1.8 D y TD motor D18 | 6616952 | C/ Dir. de potencia | VKM 34003 |
| 1.8 Diesel y Td | 1.8 D y TD motor D18 | 1088100 | C/ AC y DH | VKM 34005 |
| 1.8 Diesel y Td | 1.8 D y TD motor D18 | 1089679 | C/ AC y DH | VKM 34004 |

F100, Ranger

Tensor Poly - V

| | | | | |
|-----------------|---------------------|--|--|-----------|
| 2.5, 2.8 diesel | Motor diesel Maxion | | | VKM 01004 |
|-----------------|---------------------|--|--|-----------|

Fiesta

Tensor de distribución

| | | | | |
|-------------|------------------------------|--------------|------------------------------|-------------|
| 1.3 Nafta | 1.3 N HL13-1296 Español | 6145027 | Polea móvil | VKM 14200 |
| 1.4 Nafta | 1.4 N motor HL14-1392 cc | 6182891 | Polea móvil | VKM 14201 |
| 1.4 16 vál. | 1.4 N motor ZHL 14 (Zetec S) | | | VKM 14220 |
| 1.6 16 vál. | 1.6 N motor ZH16 (Zetec E) | 6635941 | Polea móvil | VKM 14210 |
| 1.6 16 vál. | 1.6 N motor ZH16 (Zetec E) | 6635942 | Polea fija | VKM 24210 H |
| 1.6 16 vál. | 1.6 N motor ZH16 (Zetec E) | 6744307 | | VKM 24211 |
| 1.6 16 vál. | 1.6 N motor ZH16 (EFI) | 1111911 | 02/'00 > 06/'02 | VKM 14222 |
| 1.8 Diesel | 1.8 D motor D18 | 6497120 | Polea móvil > '95 | VKM 14100 |
| 1.8 Diesel | 1.8 D motor D18 | 6988203 | Polea loca a bomba inyectora | VKM 14103 |
| 1.8 Diesel | 1.8 D motor D18 | 6177882 | Polea fija | VKM 24100 |
| 1.8 Diesel | 1.8 D motor D18 | 1005516 | Polea móvil, '95 > '97 | VKM 14105 |
| 1.8 Diesel | 1.8 D motor D18 | 97FF6K254 CA | Polea móvil, > '97 | VKM 14107 |
| 1.8 Diesel | 1.8 D motor D18 | 97FF6K254 DC | > '97 | VKM 24107 |



Ford (Cont.)

Fiesta (cont.)

Tensor Poly - V

| | | | | |
|-----------------|---------------------|----------------|--------------------|-----------|
| 1.4 Nafta | 1.4 N motor ZH 14 | 1101540 | | VKM 34007 |
| 1.4 Nafta | 1.4 N motor ZH 15 | 1077689 | | VKM 34008 |
| 1.8 Diesel y Td | 1.8 D/TD motor D18T | 6616951 | S/ dir. de potenc. | VKM 34002 |
| 1.8 Diesel y Td | 1.8 D/TD motor D18T | 6616952 | C/ dir. de potenc. | VKM 34003 |
| 1.8 D | 1753 CC | 10896797044044 | '99 > | VKM 34005 |

Focus

Tensor de distribución

| | | | | |
|----------------------|---|--------------------|---------------|-------------|
| 1.8 y 2.0 16 vál. | Motor 1.8 16 vál. ZH18 (EFI) y 2.0 16 vál. ZH20 (EFI) | 1107573 | 10/98 > 09/02 | VKM 14211 |
| 1.8 y 2.0 16 vál. | Motor 1.8 16 vál. ZH18 (EFI) y 2.0 16 vál. ZH20 (EFI) | 1038384 | 10/98 > 01/99 | VKM 24212 |
| 1.8 y 2.0 16 vál. | Motor 1.8 16 vál. ZH18 (EFI) y 2.0 16 vál. ZH20 (EFI) | 1059945 | | VKM 24214 |
| 1.8 y 2.0 16 vál. | Motor 1.8 16 vál. ZH18 (EFI) y 2.0 16 vál. ZH20 (EFI) | 1095025 | | VKM 24213 |
| 1.8 / 2.0 16 vál. | Motor 1.8 16V ZH18 Zetec E y 2.0 16V ZH20 Zetec E | 6635941948M6K254AC | '98 > | VKM 14210 |
| 1.8 / 2.0 16 vál. | Motor 1.8 16V ZH18 Zetec E y 2.0 16V ZH20 Zetec E | 928M6M250 BC | '98 > | VKM 24210 H |
| 1.8 / 2.0 16 vál. | Motor 1.8 16V ZH18 Zetec E y 2.0 16V ZH20 Zetec E | 6744307928M6M250DC | '98 > | VKM 24211 |
| 1.8 Td | 1753 cc | YS4Q-6K254 AB | '98 > | VKM 04001 |
| 1.8D, 18TD y 1.8TDCI | | 1113174 | | VKM 14108 |

Tensor Poly - V

| | | | | |
|---------------|--|--------------|-------|-----------|
| 1.8 / 2.0 16V | Motor 1.6 16V ZH16, 1.8 16V, ZH18 y 2.0 16V ZH20 Zetec | V97BB6A228AG | '98 > | VKM 34010 |
|---------------|--|--------------|-------|-----------|

Galaxy

Tensor de distribución

| | | | | |
|-----------|------------------|-----------|-------------|-----------|
| 2.0 Nafta | 2.0 N motor AUDI | 026109243 | Polea móvil | VKM 11000 |
|-----------|------------------|-----------|-------------|-----------|

Mondeo

Tensor de distribución

| | | | | |
|------------------|--|-------------------|-------------------------------|-------------|
| 1.6 16 vál. | 1.6 16V N mot. ZH16 Zetec E | 6635941 | Polea móvil | VKM 14210 |
| 1.6 16 vál. | 1.6 16V N mot. ZH16 Zetec E | 6635942 | Polea fija | VKM 24210 H |
| 1.6 16 vál. | 1.6 16V N mot. ZH16 Zetec E | 6744307 | | VKM 24211 |
| 1.6 16V/ 1.8 16V | Mot. 1.6 16V ZH16 EFI, 1.8 16V ZH18 EFI y 2.0 16V ZH20 EFI | 988M6K254AB/C/D/E | '99 > | VKM 14211 |
| 1.8 TD | Mot. 1.8 TD (66 kw) | YS4Q-6K254 AB | '99 > | VKM 04001 |
| 1.8 16 vál. | 1.8 16V N mot. ZH18 Zetec E | 6635941 | Polea móvil | VKM 14210 |
| 1.8 16 vál. | 1.8 16V N mot. ZH18 Zetec E | 6635942 | Polea fija | VKM 24210 H |
| 1.8 16 vál. | 1.8 16V N mot. ZH18 Zetec E | 6744307 | | VKM 24211 |
| 2.0 16 vál. | 2.0 16V N mot. ZH20 Zetec E | 6635941 | Polea móvil | VKM 14210 |
| 2.0 16 vál. | 2.0 16V N mot. ZH20 Zetec E | 6635942 | Polea fija | VKM 24210 H |
| 2.0 16 vál. | 2.0 16V N mot. ZH20 Zetec E | 6744307 | | VKM 24211 |
| 1.8 Td | 1.8 TD D18 | 7330712 | > 10/95 | VKM 14100 |
| 1.8 Td | 1.8 TD D18 | 1005516 | 11/95 > 09/96 | VKM 14105 |
| 1.8 Td | 1.8 TD D18 | 6988203 | Polea loca de bomba inyectora | VKM 14103 |
| 1.8 Td | 1.8 TD D18 | 7053802 | | VKM 24100 |
| 1.8 Td | 1.8 D motor D18 | 97FF6K254 CA | Polea móvil, > 10/96 | VKM 14107 |
| 1.8 Td | 1.8 D motor D18 | 97FF6K254 DC | > 10/96 | VKM 24107 |



Ford (Cont.)

Mondeo (cont.)

Tensor Poly - V

| | | | | |
|----------------|---|---------|---------------------|-----------|
| 1.6; 1.8 y 2.0 | Motor 1.8 16 vál. ZH18 (Zetec E) y 2.0 16 vál. ZH20 (Zetec E) | 1073096 | | VKM 34010 |
| 1.8 Td | 1.8 TD D18T | 6616951 | S/ dir. de potencia | VKM 34002 |
| 1.8 Td | 1.8 TD D18T | 6616952 | C/ dir. de potencia | VKM 34003 |

New Fiesta

Tensor de distribución

| | | | | |
|----------|---------|---------|-------|-----------|
| 1.4 TDCi | 1398 cc | 1145947 | '02 > | VKM 13140 |
| 1.4 TDCi | 1398 cc | 0830.48 | '02 > | VKM 23140 |

Tensor Poly - V

| | | | | |
|----------|---------|---------|-------|-----------|
| 1.4 TDCi | 1398 cc | 5751.86 | '02 > | VKM 33043 |
|----------|---------|---------|-------|-----------|

Sierra L, GHIA, XR4, S

Tensor de distribución

| | | | | |
|-----------------|-------------|---------|-------------------|-------------|
| 1.6 y 2.3 Nafta | 1.6 y 2.3 N | 1496915 | Polea móvil, >'82 | VKM 14000 H |
|-----------------|-------------|---------|-------------------|-------------|

Taurus L, GXL, Cupe, GT; GHIA, S, SP5

Tensor de distribución

| | | | | |
|-----------------|--|---------|-------------|-------------|
| 2.0 y 2.3 Nafta | | 1496915 | Polea móvil | VKM 14000 H |
|-----------------|--|---------|-------------|-------------|

Transit

Tensor de distribución

| | | | | |
|-----------------|-------------------------|-----------|--|-----------|
| 2.4 Diesel | 2.4 D motor 2401 | 1500004 | | VKM 14300 |
| 2.5 Diesel y Td | 2.5 D motor D25 2496 cc | 612753/54 | | VKM 14301 |

General Motors

Astra

Tensor de distribución

| | | | | |
|---------------------------|---|----------|-----------------------|-----------|
| 1.6 y 1.8 16 Vál. Nafta | 1.6 16 vál. X16XEL y 1.8 16 vál. X18XE1 | 5636732 | Correa de 162 dientes | VKM 15214 |
| 1.6 y 1.8 16 vál. Nafta | 1.6 16 vál. X16XEL y 1.8 16 vál. X18XE2 | 5636415 | Correa de 162 dientes | VKM 25150 |
| 1.6 y 1.8 16 vál. Nafta | 1.6 16 vál. X16XEL y 1.8 16 vál. X18XE3 | 5636416 | Correa de 162 dientes | VKM 25152 |
| 1.8 8v | 1796 cc | 24426500 | '03 > | VKM 15216 |
| 1.8 /2.0 | 1796 cc / 1798 cc | 90530124 | '91 > '98 | VKM 15402 |
| 2.0 16 vál. Nafta y Turbo | 2.0 16 vál. X20XEV y C20XE | 636737 | > '93 Polea móvil | VKM 15202 |
| 2.0 16 vál. Nafta y Turbo | 2.0 16 vál. 20XE/C20XE | 636423 | >'92 Polea fija | VKM 25211 |
| 2.0 16 vál. Nafta y Turbo | 2.0 16 vál. 20XE/C20XE | 636732 | >'92 Polea móvil | VKM 15211 |
| 2.0 16 vál. Nafta y Turbo | 2.0 16 vál. X20XEV y C20XE | 636415 | '93 >'97 Polea fija | VKM 25212 |
| 2.0 16 vál. Nafta y Turbo | 2.0 16 vál. C20XE | 636416 | > '93 Polea fija | VKM 25213 |
| 2.0 16 vál. | 2.0 16 vál. X20XEV | 5636423 | > '98 | VKM 25224 |
| 1.7 Diesel | 1.7 D motor 17D correa de 146 dientes | 636422 | > motor N° 14333430 | VKM 25201 |
| 1.7 Diesel | 1.7 D motor 17DR correa de 176 dientes | 636726 | Motor ISUZU 4EE1/N | VKM 15202 |
| 1.7 Diesel | 1.7 D motor 17DR correa de 176 dientes | 636418 | Motor ISUZU 4EE1/N | VKM 25202 |



General Motors (cont.)

Astra (cont.)

Tensor de distribución (cont.)

| | | | | |
|--------|---------------------|--------|--------------------|-----------|
| 1.7 Td | 1.7 TD motor X17TD | 636735 | | VKM 15213 |
| 1.7 Td | 1.7 TD motor X17TD | 636741 | | VKM 15215 |
| 1.7 Td | 1.7 TD motor X17TD | 636730 | | VKM 25210 |
| 1.7 Td | 1.7 TD motor X17DTL | 636726 | Motor ISUZU 4EE1/T | VKM 15202 |
| 1.7 Td | 1.7 TD motor X17DTL | 636418 | Motor ISUZU 4EE1/T | VKM 25202 |

Tensor Poly - V

| | | | | |
|----------------------------|-----------------------|----------|-------------------|-----------|
| 2.0 16 vál. | 2.0 16 V | 1340545 | | VKM 35007 |
| 1.4i 16 vál. y 1.6 16 vál. | 1.4 i 16 V y 1.6 16 V | 1340535 | | VKM 35002 |
| 1.4, 1.6 16 vál. | Motor X14XE / X16XEL | 90412884 | Tensor automático | VKM 05020 |

Corsa/ Corsa Combo/ Tigra

Tensor de distribución

| | | | | |
|------------------|----------------|----------|--------------------|-----------|
| 1.6 16 vál. | C 1.6 XE Nafta | 636739 | > '93 Polea móvil | VKM 15214 |
| 1.6 16 vál. | C 1.6 XE Nafta | 636415 | > '93 Polea fija | VKM 25212 |
| 1.6 16 vál. | C 1.6 XE Nafta | 636416 | > '93 Polea fija | VKM 25213 |
| 1.6 16 vál. | 1.6 16 vál. | 5636416 | | VKM 25152 |
| 1.6 16 vál. | 1.6 16 vál. | 90412731 | | VKM 25150 |
| 1.6 Nafta | 1.6 N | 636734 | Correa 111 dientes | VKM 15121 |
| 1.5 Diesel | 1.5 D | 636731 | > '93 Polea móvil | VKM 15210 |
| 1.5 y 1.7 Diesel | 1.5 D y 1.7 D | 636730 | > '93 Polea fija | VKM 25210 |
| 1.7 Diesel | 1.7 D | 636741 | | VKM 15215 |

Tensor Poly - V

| | | | | |
|-------------------|---------------------------|----------|-------------------|-----------|
| Todos los modelos | | 1340535 | Todos los modelos | VKM 35002 |
| 1.4, 1.6 16 vál. | Motor Ecotec X14XE, C16XE | 90412884 | Tensor automático | VKM 05020 |

Meriva

Tensor Poly - V

| | | | | |
|----------|---------|--------------------|-------|-----------|
| 1.8 16 V | 1796 cc | 90571758/13 40 555 | '03 > | VKM 35012 |
|----------|---------|--------------------|-------|-----------|

Monza 1.8 / 2.0

Tensor de distribución

| | | | | |
|-----------|----------------|--|--|-----------|
| 1.8 y 2.0 | 1.8 / 2.0 c.c. | | | VKM 70001 |
|-----------|----------------|--|--|-----------|

Pick Up D20 / Silverado / S10

Tensor Poly - V

| | | | | |
|------------|--------------|--|--|-----------|
| 2.5 diesel | Motor Maxion | | | VKM 01004 |
|------------|--------------|--|--|-----------|

Vectra

Tensor de distribución

| | | | | |
|-----------------------|-----------------------|----------|-------------------|-----------|
| 1.8 / 2.0 | 1796 cc / 1798 cc | 90530124 | '88 > '97 | VKM 15402 |
| 2.0 16 vál. N y Turbo | 2.0 16 vál. N y Turbo | 636732 | > '92 Polea móvil | VKM 15211 |
| 2.0 16 vál. N y Turbo | 2.0 16 vál. N y Turbo | 636423 | > '92 Polea fija | VKM 25211 |
| 2.0 16 vál. N y Turbo | 2.0 16 vál. N y Turbo | 636737 | > '93 Polea móvil | VKM 15202 |
| 2.0 16 vál. N y Turbo | 2.0 16 vál. N y Turbo | 636415 | > '93 Polea fija | VKM 25212 |
| 2.0 16 vál. N y Turbo | 2.0 16 vál. N y Turbo | 636416 | > '93 Polea fija | VKM 25213 |



General Motors (cont.)

Vectra

Tensor de distribución

| | | | | |
|------------|--|--------|-------------------------|-----------|
| 1.7 Diesel | 1.7 D motor 17D Tensor 146 dientes | 636422 | Desde motor N° 14333430 | VKM 25201 |
| 1.7 Diesel | 1.7 D motor 17DR Tensor 176 dientes | 636726 | Desde motor N° 14333431 | VKM 15202 |
| 1.7 Diesel | 1.7 D motor 17DR Tensor 176 dientes | 636418 | Desde motor N° 14333431 | VKM 25202 |
| 1.7 Td | 1.7 TD motor 17TD | 636735 | | VKM 15213 |
| 1.7 Td | 1.7 TD Todos los modelos | 636730 | | VKM 25210 |
| 1.7 Td | 1.7TD motor X17TD | 636741 | | VKM 15215 |

Tensor Poly - V

| | | | | |
|--------------------|------------------|--------------------|-------------------|-----------|
| 1.8 /2.0 | 1796 cc/ 1798 cc | 24412292/13 40 532 | '95 > | VKM 35009 |
| 2.0 16 vál. Diesel | Motor X2.0 DTL | 1340545 | | VKM 35007 |
| 2.5 V6 | Motor X25XE | 90409783 | Tensor automático | VKM 05021 |

Zafira

Tensor Poly - V

| | | | | |
|----------|---------|--------------------|-------|-----------|
| 1.8 16 V | 1796 cc | 90571758/13 40 555 | '03 > | VKM 35012 |
| 2.2 DTI | 2172 cc | 90509421/13 40 530 | '02 > | VKM 35007 |
| 2.2 DTI | 2172 cc | 55350960/13 40 827 | '02 > | VKM 35016 |

Honda

Accord

Tensor de distribución

| | | | | |
|------------------------|--|--------------------------------|-------|------------------------|
| 1.8 (CC7) | F18A - 1800 cc F18A - 1800 cc | 13404-PT0-004 14510-PT0-004 | > '94 | VKM 73011 VKM 73600 |
| 1.8 (CE7) | F18A - 1800 cc F18A - 1800 cc | 13404-PT0-004 14510-PT0-004 | > '96 | VKM 73011 VKM 73600 |
| 2.0 (CD9, CE2) | F20B - 2000 cc F20B - 2000 cc | 13404-PT0-004 14510-PT0-004 | > '94 | VKM 73011 VKM 73600 |
| 2.0 (CE8) | F20Z - 2000 cc F20Z - 2000 cc | 13404-PT0-004 14510-PT0-004 | > '96 | VKM 73011 VKM 73600 |
| V - Tec 2.2 (CD5, CE1) | F22B - 2200 cc F22B - 2200 cc | 13404-PT0-004 14510-PT0-004 | > '94 | VKM 73011 VKM 73600 |
| 2.2 (CD5, CD7, CE1) | F22B - 2200 cc F22B - 2200 cc | 13404-PT0-004 14510-PT0-004 | > '94 | VKM 73011 VKM 73600 |
| V - Tec 2.2 (CE9) | F22Z / S22Z - 2200 cc F22Z / S22Z - 2200 cc | 13404-PT0-004 14510-PT0-004 | > '96 | VKM 73011 VKM 73600 |

Civic

Tensor de distribución

| | | | | |
|-----------|----------------|---------------|-------|-----------|
| 1.4 (EJ9) | D14A - 1400 cc | 14510-P08-004 | > '96 | VKM 73005 |
| 1.4 (MB2) | D14A - 1400 cc | 14510-P08-004 | > '97 | VKM 73005 |
| 1.5 (EK3) | D15Z - 1500 cc | 14510-P08-004 | > '96 | VKM 73005 |
| 1.5 (MB3) | D15Z - 1500 cc | 14510-P08-004 | > '97 | VKM 73005 |
| 1.6 (EK1) | D16Y - 1600 cc | 14510-P08-004 | > '96 | VKM 73005 |
| 1.6 (EK4) | B16A - 1600 cc | 14510-PR3-004 | > '96 | VKM 73201 |
| 1.6 (MB4) | D16B - 1600 cc | 14510-P08-004 | > '97 | VKM 73005 |



Hyundai

Accent

Tensor de distribución

| | | | | |
|-----|----------------|-------------|--------------|-----------|
| 1.3 | G4EH - 1300 cc | 24410-22020 | 07/'94 > '95 | VKM 75006 |
| 1.5 | G4EK-1500 cc | 24410-22020 | 07/'94 > '95 | VKM 75006 |

Elantra

Tensor de distribución

| | | | | |
|-----|-----------------------|---|-----------------|-------------------------------------|
| 1.5 | G4DJ (SOHC) - 1500 cc | 24410-21010 | 12/'90 > 09/'94 | VKM 75100 |
| 1.6 | G4CR (DOHC) - 1600 cc | 23357-33120 24450-33010 24810-33021 | 07/'92 > 09/'94 | VKM 75044 VKM 75144 VKM 85000 |
| 1.8 | G4CN (DOHC) - 1800 cc | 23357-33120 24450-33010 24810-33021 | 07/'92 > 09/'94 | VKM 75044 VKM 75144 VKM 85000 |

S coupe

Tensor de distribución

| | | | | |
|-----|----------------|-------------|-----------------|-----------|
| 1.5 | G4EK - 1500 cc | 24410-22020 | 07/'92 > 09/'94 | VKM 75006 |
|-----|----------------|-------------|-----------------|-----------|

Sonata

Tensor de distribución

| | | | | |
|-----|-----------------------|---|-----------------|-------------------------------------|
| 1.8 | G4CM (SOHC) - 1800 cc | 23357-32010 24450-33010 | 07/'93 > 10/'94 | VKM 75113 VKM 75144 |
| 2.0 | G4CP (OHC) - 2000 cc | 23357-33120 24450-33010 24810-33021 | 05/'91 > 10/'94 | VKM 75044 VKM 75144 VKM 85000 |
| 2.0 | G4CP (SOHC) - 2000 cc | 23357-32010 24450-33010 | 07/'93 > 10/'94 | VKM 75113 VKM 75144 |
| 3.0 | G6AT (SOHC) - 3000 cc | 24410-35020 | 05/'89 > 10/'94 | VKM 75004 |

Iveco

Daily

Tensor de distribución

| | | | | |
|------------|--------|---------|-------------|-----------|
| 2.5 Diesel | 2.5 D | 4740846 | Polea móvil | VKM 22385 |
| 2.5 Td | 2.5 TD | 4740847 | Polea fija | VKM 22380 |

Kia

Avella

Tensor de distribución

| | | | | |
|---------------------------|---------------------|---------------------------------------|--|------------------------|
| 1.3 (K370, 372, 376, 378) | B3 (SOHC) - 1300 cc | 0K 150 - 12 - 700 A | | VKM 74200 |
| 1.5 (K943) | B5 (DOHC) - 1500 cc | 0K937 - 12 - 700A 0K937 - 12 - 730 | | VKM 74201 VKM 84201 |

Sephia

Tensor de distribución

| | | | | |
|---------------|------------------|---------------------------------------|--|------------------------|
| 1.6 (K28-29#) | (DOHC) - 1600 cc | 0K937 - 12 - 700A 0K937 - 12 - 730 | | VKM 74201 VKM 84201 |
| 1.6 (K23#) | (SOHC) - 1600 cc | | | VKM 74200 |

Sportage

Tensor de distribución

| | | | | |
|-----------------------|---------------------|---------------------------------------|--|------------------------|
| 4 WD 2.0 (K01Z, K021) | (DOHC) - 2000 cc | 0K972 - 12 - 700A 0K954 - 12 - 730 | | VKM 74600 VKM 84601 |
| 4 WD 2.0 (K026) | FE (SOHC) - 2000 cc | 0K972 - 12 - 700A 0K954 - 12 - 730 | | VKM 74600 VKM 84601 |



Mazda

323

Tensor de distribución

| | | | | |
|-----------|------------------------|---|-------------|-------------------------------------|
| 1.3 (BJ#) | B3 (SOHC) - 1300 cc | B630 - 12 - 700 E | > 05/98 | VKM 74200 |
| 1.5 (BA#) | Z5 (DOHC) - 1500 cc | B660 - 12 - 700 E B660 - 12 - 730 C | 07/94 > '97 | VKM 74201 VKM 84201 |
| 1.6 (BA#) | B6 (DOHC) - 1600 cc | B660 - 12 - 700 E B660 - 12 - 730 C | 07/94 > '97 | VKM 74201 VKM 84201 |
| 1.8 (BJ#) | FP (DOHC) - 1800 cc | FP01 - 12 - 700 A FS01 - 12 - 730 A | > 05/98 | VKM 74006 VKM 84000 |
| 2.0 (BA#) | KF-ZE (DOHC) - 2000 cc | KLY2 - 12 - SJO KL01 - 12 - 730 KL01 - 12 - 740 | 05/94 > '97 | VKM 74000 VKM 84001 VKM 84002 |

626

Tensor de distribución

| | | | | |
|------------------|---------------------|---|---------------|-------------------------------------|
| 1.8 (GF#) | FP (DOHC) - 1800 cc | FP01 - 12 - 700 A FS01 - 12 - 730 A | > 04/97 | VKM 74006 VKM 84000 |
| 2.0 (GF#) | FS (DOHC) - 2000 cc | FS01 - 12 - 700 A FS01 - 12 - 730 A | > 04/97 | VKM 74002 VKM 84000 |
| 2.0 Diesel (GE#) | RF (SOHC) - 2000 cc | RF71 - 12 - 700 C RF71 - 12 - 730 A | 03/92 > '94 | VKM 74310 VKM 84310 |
| 2.5 (GE#) | KL-ZE - 2500 cc | KLY2 - 12 - SJO KL01 - 12 - 730 KL01 - 12 - 740 | 09/91 > 06/97 | VKM 74000 VKM 84001 VKM 84002 |

MX - 5

Tensor de distribución

| | | | | |
|-----------|-----------------|--|---------|------------------------|
| 1.6 (NB#) | B6-ZE - 1600 cc | B660 - 12 - 700 E B660 - 12 - 730 C | > 01/98 | VKM 74201 VKM 84201 |
| 1.8 (NB#) | BP-ZE - 1800 cc | B660 - 12 - 700 E B660 - 12 - 730 C | > 01/98 | VKM 74201 VKM 84201 |

MX - 6

Tensor de distribución

| | | | | |
|-----------|-----------------|---|---------------|-------------------------------------|
| 2.0 (GE#) | FS - 2000 cc | FS01 - 12 - 700 A FS01 - 12 - 730 A | 06/94 > 06/97 | VKM 74002 VKM 84000 |
| 2.2 (GD#) | F 2 - 2200 cc | FE1H - 12 - 700 A FE1H - 12 - 730 A | > '90 | VKM 74600 VKM 84600 |
| 2.5 (GE#) | KL-ZE - 2500 cc | KLY2 - 12 - SJO KL01 - 12 - 730 KL01 - 12 - 740 | 06/94 > 06/97 | VKM 74000 VKM 84001 VKM 84002 |

Mercedes Benz

Serie 190 (W201)

Tensor Poly - V

| | | | |
|---------------|--------------------------|------------|-----------|
| E 1.8 | 102.910/102.919 (105 CV) | 6012000970 | VKM 38001 |
| E 2.0 | 102.924 (105 CV) | 6012000970 | VKM 38001 |
| E 2.0 | 102.962 (122CV) | 6012000970 | VKM 38001 |
| E 2.3 | 102.985 (136 CV) | 6012000970 | VKM 38001 |
| E 2.3 16 vál. | 102.983 (185 CV) | 6012000970 | VKM 38001 |
| E 2.5 16 vál. | 102.990 (204 CV) | 6012000970 | VKM 38001 |
| E 2.6 | 103.942 (160 CV) | 6012000770 | VKM 38012 |
| E 3.2 AMG | 103.983 (180) | 6012000770 | VKM 38012 |



Mercedes Benz (cont.)

Serie 200 - 300 / Break / Coupe (W124)

Tensor Poly - V

| | | | | |
|---------------------|------------------------------|------------|-------------------------------------|-----------|
| 2.0 | 102.922 (109 CV) | 6012000970 | 12/85 > 05/90 C/ dir. hidráulica | VKM 38001 |
| E 2.0 | 102.963 (123 CV) | 6012000970 | 09/88 > 06/93 C/ dir. hidráulica | VKM 38001 |
| E 2.3 | 102.982 (136 CV) | 6012000970 | 01/85 > 06/93 C/ dir. hidráulica | VKM 38001 |
| E 2.6 | 103.940 (160/170 CV) | 6012000770 | 09/85 > 08/92 | VKM 38012 |
| E/TE/CE 3.0 | 103.983 (180/187/188/190 CV) | 6012000770 | 09/85 > 08/92 | VKM 38012 |
| E/TE/CE 3.0 24 vál. | 104.980 (220/230 CV) | 6012000770 | 09/86 > 06/93 | VKM 38012 |

Serie 200 - 300 (W126)

Tensor Poly - V

| | | | | |
|--------|----------------------|------------|---------------|-----------|
| SE 2.6 | 103.941 (155/166 CV) | 6012000770 | 09/85 > 06/91 | VKM 38012 |
| SE 3.0 | 103.981 (188 CV) | 6012000770 | 09/85 > 06/91 | VKM 38012 |

Serie 300 (W129)

Tensor Poly - V

| | | | | |
|----------------|------------------|------------|----------------------------------|-----------|
| SL 3.0 | 103.984 (188 CV) | 6012000770 | 03/89 > 08/93 sin catalizador | VKM 38012 |
| SL 3.0 24 vál. | 104.981 (231 CV) | 6012000770 | 03/89 > 08/93 | VKM 38012 |

Serie 400 - 500 (W129)

Tensor Poly - V

| | | | | |
|--------|--|------------|--------------------------|-----------|
| SL 5.0 | 119.960 (326 CV) 119.972 (320/326 CV) | 6012000770 | 09/89 > 08/92 > 09/89 | VKM 38012 |
|--------|--|------------|--------------------------|-----------|

Sprinter

Tensor Poly - V

| | | | | |
|------------|--------------|--|--|-----------|
| 2.5 diesel | Motor Maxion | | | VKM 01004 |
|------------|--------------|--|--|-----------|

Mitsubishi

3000 GT

Tensor de distribución

| | | | | |
|------------|----------------|------------------------|---------------|------------------------|
| 3.0 (Z16A) | 6G72 - 3000 cc | MD 140071 MD 319022 | 06/92 > 05/93 | VKM 75000 VKM 85002 |
|------------|----------------|------------------------|---------------|------------------------|

Colt

Tensor de distribución

| | | | | |
|-------------------|-----------------------|-------------------------------------|---------------|-------------------------------------|
| 1.3 (CJ1A, CK1A) | 4G13 - 1300 cc | MD 329976 | > 11/95 | VKM 75615 |
| 1.5 (CK2A) | 4G15 (DOHC) - 1500 cc | MD 329976 MD 121993 | > 11/95 | VKM 75615 VKM 85000 |
| 1.5 (CJ2A, CK2A) | 4G15 (SOHC) - 1500 cc | MD 329976 | > 11/95 | VKM 75615 |
| 1.6 (CK4A) | 4G92 (DOHC) - 1600 cc | MD 169592 MD 121993 | > 11/95 | VKM 75009 VKM 85000 |
| 1.6 (CJ4A, CK4A) | 4G92 (SOHC) - 1600 cc | MD 320174 | > 11/95 | VKM 75616 |
| 1.8 (C58A) | 4G67 - 1800 cc | MD 115976 MD 129355 MD 121993 | 11/89 > 05/92 | VKM 75044 VKM 75144 VKM 85000 |
| 1.8 (CA5A, CB5A) | 4G93 (DOHC) - 1800 cc | MD 169592 MD 121993 | 12/91 > 11/94 | VKM 75009 VKM 85000 |
| 1.8 (CA5A) | 4G93 (SOHC) - 1800 cc | MD 175375 | 12/91 > 11/94 | VKM 75002 |
| 2.0 Diesel (CB8A) | 4D68 - 2000 cc | MD 115976 MD 174352 MD 012587 | 12/91 > 11/94 | VKM 75044 VKM 75054 VKM 85140 |



Mitsubishi (cont.)

Eclipse

Tensor de distribución

| | | | | |
|------------------|----------------|-------------------------------------|---------|-------------------------------------|
| 1.8 (D21A) | 4G37 - 1800 cc | MD 109958 MD 009650 | > 03/93 | VKM 75108 VKM 75119 |
| 2.0 (D22A, D27A) | 4G63 - 2000 cc | MD 115976 MD 129355 MD 121993 | > 03/93 | VKM 75044 VKM 75144 VKM 85000 |
| 2.0 (D32A, D33A) | 4G63 - 2000 cc | MD 182537 MD 185544 MD 121993 | > 08/94 | VKM 75064 VKM 75613 VKM 85000 |

Galant

Tensor de distribución

| | | | | |
|------------------|----------------|-------------------------------------|---------------|-------------------------------------|
| 1.8 (E52A) | 4G93 - 1800 cc | MD 175375 | 11/92 > 04/95 | VKM 75002 |
| 1.8 (EA1A) | 4G93 - 1800 cc | MD 320174 | > 10/96 | VKM 75616 |
| 2.0 (E55A, E75A) | 4G63 - 2000 cc | MD 115976 MD 182537 MD 121993 | 11/92 > 04/95 | VKM 75044 VKM 75064 VKM 85000 |
| 2.0 Td (E57A) | 4D68 - 2000 cc | MD 115976 MD 174352 MD 012587 | 11/92 > 04/95 | VKM 75044 VKM 75054 VKM 85140 |
| 2.0 (E54A, E64A) | 6A12 - 2000 cc | MD 188813 MD 179597 | 11/92 > 04/95 | VKM 75614 VKM 85141 |
| 2.0 (EA2A) | 4G63 - 2000 cc | MD 182537 MD 185544 MD 121993 | > 10/96 | VKM 75064 VKM 75613 VKM 85000 |
| 2.5 (EA5A) | 6A13 - 2500 cc | MD 188813 MD 179597 | > 10/96 | VKM 75614 VKM 85141 |

L 200

Tensor de distribución

| | | | | |
|-------------------------------|----------------|------------------------|-------|------------------------|
| 2.4 (K05T, K15T) | 4G64 - 2400 cc | MD 011536 MD 115976 | > '94 | VKM 75033 VKM 75044 |
| 2.5 Diesel (K14T, K24T, K34T) | 4D56 - 2500 cc | MD 050135 MD 050125 | > '95 | VKM 75601 VKM 75612 |

L 300

Tensor de distribución

| | | | | |
|----------------------------|---------------------|-------------------------------------|---------|-------------------------------------|
| 1.6 (L062P) | 4G32 - 1600 cc | MD 008965 | > '93 | VKM 75101 |
| 2.0 (P03V, PO13V) | 4G63/G63B - 2000 cc | MD 115976 MD 182537 MD 121993 | > '96 | VKM 75044 VKM 75064 VKM 85000 |
| 2.4 (P04V/W, P14V, P24V/W) | 4G64 - 2400 cc | MD 011536 MD 115976 | > 06/95 | VKM 75033 VKM 75044 |
| 2.5 Diesel (L039P) | 4D56 - 2500 cc | MD 050135 MD 050125 | > '96 | VKM 75601 VKM 75612 |
| 2.5 Diesel (P05V/W, P15V) | 4D56 - 2500 cc | MD 050135 MD 050125 | > '96 | VKM 75601 VKM 75612 |
| 2.5 Diesel 4WD (P25/W) | 4D56 - 2500 cc | MD 050135 MD 050125 | > '96 | VKM 75601 VKM 75612 |



Mitsubishi (cont.)

Lancer

Tensor de distribución

| | | | | |
|---------------------------|-----------------------|-------------------------------------|---------------|-------------------------------------|
| 1.3 (CJ1A, CK1A) | 4G13 - 1300cc | MD 329976 | > 11/95 | VKM 75615 |
| 1.5 (CK2A) | 4G15 (DOHC) - 1500 cc | MD 329976 MD 121993 | > 11/95 | VKM 75615 VKM 85000 |
| 1.5 (CJ2A, CK2A) | 4G15 (SOHC) | MD 329976 | > 11/95 | VKM 75615 |
| 1.6 (CK4A) | 4G92 (DOHC) - 1600 cc | MD 169592 MD 121993 | > 11/95 | VKM 75009 VKM 85000 |
| 1.6 (CJ4A, CK4A) | 4G92 (SOHC) - 1600 cc | MD 320174 | > 11/95 | VKM 75616 |
| 1.8 (CA5A, CB5A) | 4G93 (DOHC) - 1800 cc | MD 169592 MD 121993 | 12/91 > 11/94 | VKM 75009 VKM 85000 |
| 1.8 (CA5A) | 4G93 (SOHC) - 1800 cc | MD 175375 | 12/91 > 11/94 | VKM 75002 |
| 2.0 diesel (CB8A/W, C67A) | 4D68 - 2000 cc | MD 115976 MD 174352 MD 012587 | 12/91 > 11/94 | VKM 75044 VKM 75054 VKM 85140 |

Space Wagon

Tensor de distribución

| | | | | |
|------------------|----------------|-------------------------------------|---------------|-------------------------------------|
| 1.8 (N31W, N41W) | 4G93 - 1800 cc | MD 175375 | 06/91 > '96 | VKM 75002 |
| 2.0 (N33W, N43W) | 4G63 - 2000 cc | MD 115976 MD 182537 MD 121993 | 06/92 > '96 | VKM 75044 VKM 75064 VKM 85000 |
| 2.0 Td (N38W) | 4D68 - 2000 cc | MD 115976 MD 174352 MD 012587 | 06/92 > 05/93 | VKM 75044 VKM 75054 VKM 85140 |
| 2.4 (N34W) | 4G64 - 2400 cc | MD 115976 MD 182537 MD 121993 | 06/92 > 05/93 | VKM 75044 VKM 75064 VKM 85000 |

Nissan

300 ZX

Tensor de distribución

| | | | | |
|-----------|-------------------|---|---------------|-------------------------------------|
| 3.0 (Z32) | VG30DTT - 3000 cc | 13077-F6512 13077-F6511 13077-F6510 | 02/89 > 04/95 | VKM 82000 VKM 82001 VKM 82501 |
|-----------|-------------------|---|---------------|-------------------------------------|

Máxima

Tensor de distribución

| | | | | |
|-----------|-----------------|-------------|---------|-----------|
| 3.0 (J30) | VG30E - 3000 cc | 13070-V5001 | > 06/94 | VKM 72004 |
|-----------|-----------------|-------------|---------|-----------|

Pathfinder

Tensor de distribución

| | | | | |
|-----------|-----------------|-------------|---------|-----------|
| 3.0 (D21) | VG30E - 3000 cc | 13070-V5001 | > 05/94 | VKM 72004 |
|-----------|-----------------|-------------|---------|-----------|

Patrol

Tensor de distribución

| | | | | |
|------------------|-----------------|----------------------------|---------|------------------------|
| 2.8 Diesel (Y60) | RD28T - 2800 cc | 13070-V7201 13077-V7200 | > 10/93 | VKM 72500 VKM 82500 |
|------------------|-----------------|----------------------------|---------|------------------------|

Primera

Tensor de distribución

| | | | | |
|------------------|----------------|----------------------------|---------|------------------------|
| 2.0 DIESEL (P10) | CD20 - 2000 cc | 13070-57J10 13077-54A00 | > 05/95 | VKM 72310 VKM 82302 |
|------------------|----------------|----------------------------|---------|------------------------|

Terrano

Tensor de distribución

| | | | | |
|-----------|-----------------|-------------|---------|-----------|
| 3.0 (D21) | VG30E - 3000 cc | 13070-V5001 | > 05/94 | VKM 72004 |
|-----------|-----------------|-------------|---------|-----------|



Peugeot

106

Tensor de distribución

| | | | | |
|------------------|-------------------|---------|--|-----------|
| 1.4 y 1.5 Diesel | Motor 1.4 y 1.5 D | 0829.30 | | VKM 13120 |
| 1.4 y 1.5 Diesel | Motor 1.4 y 1.5 D | 0830.11 | | VKM 23120 |
| 1.6 Nafta | 1.6 N | 0829.19 | | VKM 13100 |
| 1.6 16 vál. | Motor 1.6 16 vál. | 0829.40 | | VKM 13130 |
| 1.6 16 vál. | Motor 1.6 16 vál. | 0830.20 | | VKM 23130 |

Tensor Poly - V

| | | | | |
|-------------------------|----------------------------------|-----------------|----------------------|-----------|
| 1.6 y 1.6 16 vál. Nafta | Motor 1.6 y 1.6 16 vál. TU5J2/J4 | 6453.S5 | | VKM 33012 |
| 1.6 Nafta | Todo los modelos | 6453 G4 | | VKM 33011 |
| 1.5 Diesel | Motor 1.5 Diesel TUD5 | 5751.26 | | VKM 33009 |
| 1.5 D | 1527 cc TUD5 | 5751.27 | '94 > sin A/C con DH | VKM 33039 |
| 1.5 D | 1527 cc TUD5 | 5751.27/6453.S4 | '94 > con DH | VKM 33012 |
| 1.5 D | 1527 cc TUD5 | 5751.27/6453.Y1 | '94-> con DH | VKM 33038 |

205

Tensor de distribución

| | | | | |
|----------------------|-------------------|---------|-----------------------|-----------|
| 1.3 y 1.4 Nafta | 1.3 y 1.4 N | 0829.19 | > '83 Polea móvil | VKM 13100 |
| 1.6 y 1.9 Nafta | 1.6 y 1.9 N | 0829.12 | '83 > '92 Polea móvil | VKM 13200 |
| 1.6 y 1.9 Nafta | 1.6 y 1.9 N | 0829.29 | > 02/'92 Polea móvil | VKM 13100 |
| 1.8; 1.9 Diesel y Td | 1.8 D; 1.9 D y TD | 0829.11 | '83 > '94 Polea móvil | VKM 13240 |
| 1.8; 1.9 Diesel y Td | 1.8 D; 1.9 D y TD | 0830.02 | '83 > '94 Polea fija | VKM 23240 |
| 1.8; 1.9 Diesel y Td | 1.8 D; 1.9 D y TD | 0829.33 | > 01/'94 Polea móvil | VKM 13241 |
| 1.8; 1.9 Diesel y Td | 1.8 D; 1.9 D y TD | 0830.13 | > 01/'94 Polea fija | VKM 23241 |

Tensor Poly - V

| | | | | |
|-----------------------------------|------------------------|---------|--------------|-------------|
| 1.4 Nafta | 1.4 N | 6453.G4 | C/ AC, > '97 | VKM 33011 |
| 1.4 Nafta | 1.4 TU3F2/TU3M | 6453.S5 | C/ AC | VKM 33012 |
| 1.6 y 1.9 Nafta; 1.8 y 1.9 Diesel | 1.6, 1.9 N, 1.8, 1.9 D | 6453.76 | C/ AC | VKM 33010 H |
| 1.9 Diesel | 1.9 D | 5751.14 | C/ AC | VKM 33006 H |

206

Tensor de distribución

| | | | | |
|-------------------------|----------------------------------|-------------|-------|-----------|
| 1.6 Nafta | 1.6 N motor TU5 | 0829.19 | | VKM 13100 |
| 1.6 16V | 1587 cc TU5JP4 | 0829.A0 | '00 > | VKM 13256 |
| 1.6 16V | 1587 cc TU5JP4 | 0829.A1 | '00 > | VKM 23256 |
| 1.9 Diesel y 2.0 Hdi TD | 1.9 D Motor DW 8 y 2.0 TD DW 10T | 0829.59 | | VKM 13244 |
| 1.9 Diesel y 2.0 Hdi TD | 1.9 D Motor DW 8 y 2.0 TD DW 10T | 0830.28 | | VKM 23244 |
| 2.0 HDI | 1997 cc | 0829.62 | '99 > | VKM 13246 |
| 2.0 HDI | 1997 cc | 0830.31 | '99 > | VKM 23246 |
| 2.0 RC / 16 V | 1997 cc EW10J4 | 0829.A7/8/9 | '03 > | VKM 13234 |
| 2.0 RC / 16 V | 1997 cc EW10J4 | 0830.42 | '03 > | VKM 23230 |



Peugeot (cont.)

206 (cont.)

Tensor Poly - V

| | | | | |
|-----------------|---------------|-------------------|-------------------|-----------|
| 1.4 i | 1360 cc TU3JP | 5751.51 | '98 > | VKM 33023 |
| 1.4 i | 1360 cc TU3JP | 5751.52 | '98 > | VKM 33037 |
| 1.6 Nafta / 1.4 | Motor TU5 JP | 5751.50 | | VKM 33018 |
| 1.9 Diesel | Motor XUD9 | 5751.29 | | VKM 33013 |
| 1.9 Diesel | Motor DW8 | 5751.47 | | VKM 33005 |
| 1.9 Diesel | Motor DW8 | 5751.45 | | VKM 33004 |
| 1.9 Diesel | Motor DW8 | 5751.74 | Tensor automático | VKM 03030 |
| 1.9 Diesel | Motor DW8 | 5751.73 | | VKM 03029 |
| 2.0 Hdi | Motor DW10TD | 5751.46 / 5751.63 | | VKM 33017 |
| 2.0 Hdi | Motor DW10TD | 5751.55 | Tensor automático | VKM 03028 |
| 2.0 Hdi | Motor DW10TD | 5751.57 | | VKM 03069 |

306

Tensor de distribución

| | | | | |
|-------------------------|-------------------------------------|-------------------|-----------------------|-----------|
| 1.8 y 1.9 Nafta | 1.8 y 1.9 N | 0829.29 | > '93 Polea móvil | VKM 13100 |
| 1.8 y 1.9 Diesel y Td | 1.8 y 1.9 D y Turbo | 0829.11 | '93 > '94 Polea móvil | VKM 13240 |
| 1.8 y 1.9 Diesel y Td | 1.8 y 1.9 D y Turbo | 0830.02 | '93 > '94 Polea fija | VKM 23240 |
| 1.8 y 1.9 Diesel y Td | 1.8, 1.9 D/ TD | 0829.33 | > 01/'94 | VKM 13241 |
| 1.8 y 1.9 Diesel y Td | 1.8, 1.9 D/ TD | 0830.13 | > 01/'94 | VKM 23241 |
| 2.0 16 vál. | 2.0 16 vál. XU10J4 | 0829.20 | | VKM 13210 |
| 2.0 16 vál. | 2.0 16 vál. XU10J4 | 0829.31 | | VKM 13211 |
| 2.0 16 vál. | 2.0 16 vál. XU10J4 | 0829.32 | > '97 | VKM 13202 |
| 2.0 16 vál. | 2.0 16 vál. XU10J4R / RS | 0830.14 / 0830.17 | > '97 | VKM 23213 |
| 1.9 Diesel y 2.0 Hdi TD | 1.9 D Motor DW 8 y 2.0 TD DW 10T | 0829.59 | | VKM 13244 |
| 1.9 Diesel y 2.0 Hdi TD | 1.9 D Motor DW 8 y 2.0 TD DW 10T | 0830.28 | | VKM 23244 |

Tensor Poly - V

| | | | | |
|------------------------------|--|---------|-------------------|-------------|
| 1.8, 2.0 y 2.0 16 vál. nafta | 1.8, 2.0, 2.0 16 V. XU7JP/JP4; XU10J2 | 5751.18 | C/ AC y DP | VKM 33003 |
| 1.8 y 2.0 16 vál. | Motor XU7JP4, XU10J4 | 5751.35 | Tensor automático | VKM 03001 |
| 1.8 Nafta | Motor XU7JP | 5751.20 | | VKM 03011 |
| 1.8 y 2.0 16 vál. | Motor XU7JP4, XU10J4 | 5751.36 | 2.0 16 vál. >'96 | VKM 03008 |
| 2.0 16 vál. | Motor XU10J4R, XU10J4RS | 5751.34 | > '96 | VKM 03010 |
| 1.8, 1.9 Diesel y Td | 1.8 D XUD7 y 1.9 D / TD XUD9 / XUD9TE | 5751.15 | C/ AC y DP | VKM 33002 |
| 1.8, 1.9 Diesel y Td | 1.8 D XUD7 y 1.9 D / TD XUD9 / XUD9TE | 5751.24 | C/ AC y DP | VKM 33008 H |
| 1.8, 1.9 Diesel y Td | 1.8 D XUD7 y 1.9 D / TD XUD9 / XUD9TE | 5751.29 | | VKM 33013 |
| 1.9 Diesel | Motor DW8 | 5751.46 | | VKM 33017 |
| 2.0 Hdi | Motor DW10 | 5751.55 | Tensor automático | VKM 03028 |
| 2.0 Hdi | Motor DW10TD | 5751.57 | | VKM 03069 |



Peugeot (cont.)

307

Tensor de distribución

| | | | | |
|------------------|-------------------------|-------------|-------|-----------|
| 1.6 16V | 1587 cc TU5JP4 | 0829.82 | '00 > | VKM 13132 |
| 1.6 16V | 1587 cc TU5JP4 | 0830.20 | '00 > | VKM 23130 |
| 2.0 16 V | 1997 cc EW10J4 | 0829.A7/8/9 | '00 > | VKM 13234 |
| 2.0 16 V | 1997 cc EW10J4 | 0830.42 | '00 > | VKM 23230 |
| 2.0 HDi (110 CV) | 2.0 Hdi motor DW10(RHZ) | 0829.59 | | VKM 13244 |
| 2.0 HDi (110 CV) | 2.0 Hdi motor DW10(RHZ) | 0830.28 | | VKM 23244 |

Tensor Poly - V

| | | | | |
|----------|----------------|---------|-------------------|-----------|
| 1.6 16V | 1587 cc TU5JP4 | 5751.91 | '00 > | VKM 33042 |
| 2.0 16 V | 1997 cc EW10J4 | 5751.61 | '02 > | VKM 33019 |
| 2.0 16 V | 1997 cc EW10J4 | 5751.60 | '02 > | VKM 33020 |
| 2.0 16 V | 1997 cc EW10J4 | 1628.WA | '02 > | VKM 33065 |
| 2.0 Hdi | Motor DW10TD | 5751.55 | Tensor automático | VKM 03028 |
| 2.0 Hdi | Motor DW10TD | 5751.57 | | VKM 03069 |

405 SR, SRD, GL, GLD, Turbo y Familiar

Tensor de distribución

| | | | | |
|-----------------------|---|---------|----------------------------|-----------|
| 1.8 y 2.0 Nafta | 1.8 y 2.0 N | 0829.29 | Polea móvil | VKM 13100 |
| 1.9 16 vál. Nafta | 1.9 16vál. N | 0829.20 | Desde '92 | VKM 13210 |
| 2.0 16 vál. Nafta | 2.0 16 vál. motor XU10J4 y XU10J4TE | 0829.20 | | VKM 13210 |
| 2.0 16 vál. Nafta | 2.0 16 vál. motor XU10J4 y XU10J4TE | 0829.31 | | VKM 13211 |
| 1.8 y 1.9 Diesel y Td | 1.8 D motor XUD7/T y 1.9 D motor XUD9/T | 0829.11 | > '93 Polea móvil > '94 | VKM 13240 |
| 1.8 y 1.9 Diesel y Td | 1.8 D motor XUD7/T y 1.9 D motor XUD9/T | 0830.02 | > '93 Polea fija > '94 | VKM 23240 |
| 1.8 y 1.9 Diesel y Td | 1.8 D motor XUD7/T y 1.9 D motor XUD9/T | 0829.33 | > 01/'94 Polea móvil | VKM 13241 |
| 1.8 y 1.9 Diesel y Td | 1.8 D motor XUD7/T y 1.9 D motor XUD9/T | 0830.13 | > 01/'94 Polea fija | VKM 23241 |

Tensor Poly - V

| | | | | |
|-------------------------------------|--|---------|---------------------------|-------------|
| 1.9 16 vál. | 1.9 16 vál. motor XU9J4 | 6453.E0 | Desde chasis 8077226 | VKM 33001 |
| 1.6 Nafta y 1.8, 1.9 Diesel y Turbo | 1.6, 1.9, 1.8 D/TD | 6453.76 | C/ AC | VKM 33010 H |
| 1.9 16 vál. y 1.9 Diesel | 1.9 16 vál. / 1.9 D | 6453.76 | 1.9 D C/ AC / 1.9 16 vál. | VKM 33010 H |
| 2.0 y 2.0 16 vál. | 2.0 motor XU10J2 y 2.0 16 vál. Motor XU10J4/TE | 5751.18 | Desde chasis 8077225 | VKM 33003 |
| 1.6, 1.8 y 2.0 Nafta | Motor XU5JP, XU7JP, XU10J2 | | 5751.20 | VKM 03011 |
| 1.8 y 1.9 Diesel y Td | 1.8, 1.9 D/TD | 5751.14 | C/ AC | VKM 33006 H |
| 1.8 y 1.9 Diesel y Td | 1.8, 1.9 D/TD | 5751.15 | C/ AC y DP | VKM 33002 |
| 1.8 y 1.9 Diesel y Td | 1.8, 1.9 D/TD | 5751.24 | C/ AC y DP | VKM 33008 H |



Peugeot (cont.)

406

Tensor de distribución

| | | | | |
|-------------------|-------------------------------|--------------|-------|-----------|
| 1.6 y 1.8 Nafta | Motor 1.6 XU5 y Motor 1.8 XU7 | 0829.29 | | VKM 13100 |
| 1.8 16 vál. nafta | 1.8 16 vál. Motor XU7JP4 | 0829.32 | | VKM 13202 |
| 1.8 16 vál. nafta | 1.8 16 vál. Motor XU7JP4 | 0830.11 | | VKM 23120 |
| 1.8 16 V | 1.8 16V EW7J4 6FZ9 | 0830.42 | '00 > | VKM 23230 |
| 1.9 Td | 1.9 TD motor XUD9TE | 0829.33 | | VKM 13241 |
| 1.9 Td | 1.9 TD motor XUD9TE | 0830.13 | | VKM 23241 |
| 1.9 Diesel | Motor 1.9 XUD9/XUD9T | 0830.13 | '00 > | VKM 23241 |
| 2.0 16 vál. nafta | 2.0 16 vál. Motor XU10J4R | 0829.32 | | VKM 13202 |
| 2.0 16 vál. nafta | 2.0 16 vál. Motor XU10J4R | 0830.14 | | VKM 23213 |
| 2.0 Hdi TD | 2.0 TD motor DW 10T | 0829.59 | | VKM 13244 |
| 2.0 Hdi TD | 2.0 TD motor DW 10T | 0830.28 | | VKM 23244 |
| 2.0 Hdi | 1997 cc DW10T y DW10 ATED | 0829.62 | '01 > | VKM 13246 |
| 2.0 Hdi | Motor 2.0 Hdi DW10T y | | | |
| 2.1 Td | 2.1 TD motor XUD11BTE | 0818.19 | | VKM 13250 |
| 2.1 Td | 2.1 TD motor XUD11BTE | 0830.14 | | VKM 23213 |
| | DW10 ATED | 0830.31 | '00 > | VKM 23246 |
| 3.0 V6 | 2996 cc ES9A | 0830.24 | '95 > | VKM 23900 |
| 3.0 V6 | 3.0 V6 24V ES9J4, h/ 1999 | 0830.25 / 27 | '95 > | VKM 23901 |
| 3.0 V6 24V | 3.0 V6 24V ES9J4S | 0823.08/9/10 | '00 > | VKM 13902 |

Tensor Poly - V

| | | | | |
|------------------------|---|---------|-------------------|-----------|
| 1.6, 1.8 y 1.8 16 vál. | 1.6 XU5JP, 1.8 y 1.8 16 vál. XU7JP/XU7JP4 | 5751.18 | | VKM 33003 |
| 1.8 y 2.0 16 vál. | Motor XU7JP4, XU10J4 | 5751.35 | Tensor automático | VKM 03001 |
| 1.9 TD | 1.9 TD XUD9SD/XUD9TE y 2.1 XUD11BTE | 5751.30 | '96 > '04 | VKM 33029 |
| 1.9 y 2.1 Td | 1.9 XUD9TE / XUD9SD y 2.1 TD XUD11BTE | 5751.15 | | VKM 33002 |
| 1.9 y 2.1 Td | 1.9 XUD9TE / XUD9SD y 2.1 TD XUD11BTE | 5751.29 | | VKM 33013 |
| 2.0 Hdi | Motor DW10TD | 5751.55 | Tensor automático | VKM 03028 |
| 2.0 Hdi | Motor DW10TD | 5751.57 | | VKM 03069 |

505, Diesel, Turbo, Familiar

Tensor de distribución

| | | | | |
|-----------------|-------------|------------|-------------------|-----------|
| 2.0 y 2.2 Nafta | 2.0 y 2.2 N | 7700692315 | > '80 Polea móvil | VKM 16200 |
|-----------------|-------------|------------|-------------------|-----------|

605

Tensor de distribución

| | | | | |
|-------------------|----------------------------|---------|-------------|-----------|
| 2.0 Nafta | 2.0 N motor XU10 | 0829.29 | Polea móvil | VKM 13100 |
| 2.0 16 vál. Nafta | 2.0 16 vál. motor XU10J4R | 0829.32 | | VKM 13202 |
| 2.0 16 vál. Nafta | 2.0 16 vál. motor XU10J4R | 0830.14 | | VKM 23213 |
| 3.0 V6 Nafta | 3.0 V6 24 vál. motor ES9J4 | 0823.07 | | VKM 13900 |
| 3.0 V6 Nafta | 3.0 V6 24 vál. motor ES9J4 | 0830.24 | | VKM 23900 |
| 3.0 V6 Nafta | 3.0 V6 24 vál. motor ES9J4 | 0830.27 | | VKM 23901 |
| 2.1 Diesel | 2.1 D motor XUD11 y XUD11T | 0818.19 | Polea móvil | VKM 13250 |
| 2.1 Diesel | 2.1 D motor XUD11 y XUD11T | 0830.14 | Polea fija | VKM 23213 |
| 2.5 Td | 2.5 TD motor DK5ATE | 0818.20 | | VKM 13300 |
| 2.5 Td | 2.5 TD motor DK5ATE | 0830.12 | | VKM 23300 |



Peugeot (cont.)

605 (cont.)

Tensor Poly - V

| | | | | |
|----------------------------|--|---------|-------|-----------|
| 2.0 Turbo y 2.1 Turbo y Td | 2.0 motor XU10M / XU10J2TE y 2.1 T/TD XUD11A | 5751.12 | C/ AC | VKM 33007 |
| 2.0 16 vál. | 2.0 16 vál. motor XU10J4R | 5751.18 | | VKM 33003 |
| 2.1 Diesel y Td | 2.1 TD motor XUD11BTE | 5751.15 | | VKM 33002 |
| 2.1 Td | 2.1TD motor XUD11ATE/BTE | 5751.29 | | VKM 33013 |
| 2.5 Diesel | 2.5 D motor DK5ATE | 6453.R8 | | VKM 33014 |

607

Tensor de distribución

| | | | | |
|-------------------|--------------------------------|--------------|-----------|-----------|
| 2.2 16 vál. | 2.2. 16 vál. motor EW12J4 | 0829.77 | | VKM 13234 |
| 2.0 HDi (110 CV) | 2.0 Hdi motor DW10(RHZ) | 0829.59 | | VKM 13244 |
| 2.0 HDi (110 CV) | 2.0 Hdi motor DW10(RHZ) | 0830.28 | | VKM 23244 |
| 2.0i 16V /2.2 16V | 1997cc TU5JP EW12J4 2230 cc | 0829.A7/8/9 | '00 > '04 | VKM 13234 |
| 3.0 V6 | ES9J4S 2946 cc | 0823.08/9/10 | '00 > '04 | VKM 13902 |
| 3.0 V6 | ES9J4S 2946 cc | 0830.24 | '00 > '04 | VKM 23900 |

Tensor Poly - V

| | | | | |
|-------------|---------------------------|---------|--|-----------|
| 2.2 16 vál. | 2.2. 16 vál. motor EW12J4 | 5751.61 | | VKM 33019 |
| 2.2 16 vál. | 2.2. 16 vál. motor EW12J4 | 5751.60 | | VKM 33020 |

806

Tensor de distribución

| | | | | |
|---------------------|---------------------------------------|---------|--|-----------|
| 1.8, 2.0 ie y 2.0 T | 1.8 XU7JP, 2.0 XU10J2 y 2.0 T XU10J2T | 0829.29 | | VKM 13100 |
| 2.0 16 vál. nafta | 2.0 16 vál. XU10J4R | 0829.32 | | VKM 13202 |
| 2.0 16 vál. nafta | 2.0 16 vál. XU10J4R | 0830.14 | | VKM 23213 |
| 1.9 Diesel y Td | 1.9 D/TD XUD9 y XUD9TE | 0829.33 | | VKM 13241 |
| 1.9 Diesel y Td | 1.9 D/TD XUD9 y XUD9TE | 0830.13 | | VKM 23241 |
| 2.1 Td | 2.1 TD XUD11T | 0818.19 | | VKM 13250 |
| 2.1 Td | 2.1 TD XUD11T | 0830.14 | | VKM 23213 |

Tensor Poly - V

| | | | | |
|---------------------|--|---------|-------------------|-----------|
| 1.8, 2.0 ie y 2.0 T | 1.8 XU7JP, 2.0 XU10J2 y 2.0 T XU10J2T | 5751.18 | | VKM 33003 |
| 1.8 y 2.0 16 vál. | Motor XU7JP4, XU10J4 | 5751.35 | Tensor automático | VKM 03001 |
| 1.9 Diesel y 2.1 Td | 1.9 motor XUD9TE y 2.1 TD motor XUD11BTE | 5751.15 | | VKM 33002 |
| 1.9 Diesel y 2.1 Td | 1.9 motor XUD9TE y 2.1 TD motor XUD11BTE | 5751.29 | | VKM 33013 |

807

Tensor de distribución

| | | | | |
|---------|------------------|---------|-------|-----------|
| 2.0 HDI | DW10ATED4-1997cc | 0830.31 | '02 > | VKM 23246 |
| 2.0 HDI | DW10ATED4-1997cc | 0829.62 | '02 > | VKM 13246 |

Tensor Poly - V

| | | | | |
|---------|------------------|---------|-----------|-----------|
| 2.0 HDI | DW10ATED4-1997cc | 5751.55 | '02 > '04 | VKM 03028 |
| 2.0 HDI | DW10ATED4-1997cc | 5751.29 | '02 > '04 | VKM 03024 |



Peugeot (cont.)

Boxer

Tensor de distribución

| | | | | |
|---------------------|--------------------------|---------|-------------|-----------|
| 1.9 Diesel y Td | 1.9 D y TD | 0829.33 | Polea móvil | VKM 13241 |
| 1.9 Diesel y Td | 1.9 D y TD | 0830.13 | Polea fija | VKM 23241 |
| 2.5 Diesel / 2.8 Td | 2.5 D | 4740846 | Polea móvil | VKM 22385 |
| 2.5 Diesel / 2.8 Td | 2.5 D | 4740847 | Polea fija | VKM 22380 |
| 2.5 Diesel y Td | 2.5 D / TD DK5ATE y DJ 5 | 0818.20 | | VKM 13300 |
| 2.5 Diesel y Td | 2.5 D / TD DK5ATE y DJ 5 | 0830.12 | | VKM 23300 |
| 2.5 Tdi | DJ5TED. 2446 cc | 0829.52 | '98 > | VKM 13304 |
| 2.5 Tdi | DJ5TED. 2446 cc | 0830.23 | '98 > | VKM 23304 |

Tensor Poly - V

| | | | | |
|------------------|----------------------------------|----------|---------------------------|-----------|
| 1.9 Diesel y Td | 1.9 D / TD motor XUD9AU/TE/TSU | 5751.15 | | VKM 33002 |
| 2.5 Diesel y Td | 2.5 D / TD motor DJ5/DJ5T/DJ5TED | 4007.E4 | C/ Dir. de potencia | VKM 33015 |
| 2.5 Diesel y Td | 2.5 D / TD motor DJ5/DJ5T | 6453.R8 | C/ AC | VKM 33014 |
| 2.5 Diesel y Td | 2.5 D / TD motor DJ5/DJ5T | 1281.34 | Tensor para bomba de agua | VKM 33016 |
| 2.5 y 2.8 Diesel | 2.5 y 2.8 D SOFIM | 6453.EO | | VKM 36001 |
| 2.5 Tdi | DJ5TED. 2446 cc | 6453.AN/ | '97 > | VKM 33041 |

Partner / Patagónica

Tensor de distribución

| | | | | |
|-------------------------|----------------------------------|---------|-------|-----------|
| 1.8 Nafta | 1.8 N motor XU7JP | 0829.29 | | VKM 13100 |
| 1.8 Diesel | 1.8 D motor XUD7 | 0829.33 | | VKM 13241 |
| 1.8 Diesel | 1.8 D motor XUD7 | 0830.13 | | VKM 23241 |
| 1.9 Diesel | 1.9 D motor XUD9 | 0829.33 | | VKM 13241 |
| 1.9 Diesel | 1.9 D motor XUD9 | 0830.13 | | VKM 23241 |
| 1.9 Diesel y 2.0 Hdi TD | 1.9 D motor DW 8 y 2.0 TD DW 10T | 0829.59 | | VKM 13244 |
| 1.9 Diesel y 2.0 Hdi TD | 1.9 D motor DW 8 y 2.0 TD DW 10T | 0830.28 | | VKM 23244 |
| 2.0 HDI | DW10ATD-1997cc | 0829.59 | '00 > | VKM 13244 |
| 2.0 HDI | DW10ATD-1997cc | 0830.28 | '00 > | VKM 23244 |

Tensor Poly - V

| | | | | |
|-------------------------|--------------------------------------|---------|-------|-----------|
| 1.8 Nafta | 1.8 N motor XU7JP | 5751.18 | | VKM 33003 |
| 1.8 Diesel y 1.9 Diesel | 1.8 D motor XUD7 y 1.9 D motor XUD9 | 5751.38 | | VKM 33002 |
| 1.8 Diesel y 1.9 Diesel | 1.8 D motor XUD7 y 1.9 D motor XUD10 | 5751.29 | | VKM 33013 |
| 2.0 HDI | DW10ATD-1997cc | 5751.29 | '00 > | VKM 33013 |
| 2.0 HDI | DW10ATD-1997cc | 5751.55 | '00 > | VKM 03028 |



Renault

R 18 / Fuego GTX

Tensor de distribución

| | | | | |
|-----------------|-------------|------------|--------------------|-----------|
| 1.4 y 1.6 Nafta | 1.4 y 1.6 N | 7700692315 | Polea móvil | VKM 16200 |
| 2.0 y 2.2 Nafta | 2.0 y 2.2 N | 7700692315 | > '88, Polea móvil | VKM 16200 |
| 1.9 D | Diesel | 7700722452 | Polea móvil | VKM 16210 |
| 1.9 D | Diesel | 7700721690 | Polea fija | VKM 26211 |
| 2.1 Diesel | 2.1 D | 7700722452 | > '83, Polea móvil | VKM 16212 |
| 2.1 Diesel | 2.1 D | 7700721690 | > '83, Polea fija | VKM 26212 |

R 19

Tensor de distribución

| | | | | |
|-----------------|------------|------------|-------------------|-------------|
| 1.6 y 1.8 Nafta | Motor F-3P | 7700726440 | Polea móvil | VKM 16101 H |
| 1.6 y 1.8 Nafta | Motor F-3P | 7700735486 | Polea fija | VKM 26101 H |
| 1.8 16 vál. | Motor F-7P | 7700720366 | Polea móvil | VKM 16112 H |
| 1.8 16 vál. | Motor F-7P | 7700735489 | > '89, Polea fija | VKM 26102 H |
| 1.9 D | Diesel | 7700726440 | Polea móvil | VKM 16101 H |
| 1.9 D | Diesel | 7700735486 | Polea fija | VKM 26101 H |

Tensor Poly - V

| | | | | |
|-----------------|-------------|------------|--|-------------|
| 1.6 y 1.8 Nafta | 1.6 y 1.8 N | 7700850603 | | VKM 36013 H |
| 1.9 D | Diesel | 7700852410 | | VKM 36012 H |
| 1.9 D | Diesel | 7700271618 | | VKM 36014 H |

R 21

Tensor de distribución

| | | | | |
|-----------------|-------------|------------|-------------|-----------|
| 1.9 Diesel | 1.9 D | 7700722452 | Polea móvil | VKM 16210 |
| 1.9 Diesel | 1.9 D | 7700721690 | Polea fija | VKM 26211 |
| 2.0 y 2.2 Nafta | 2.0 y 2.2 N | 7700692315 | Polea móvil | VKM 16200 |
| 2.1 Diesel | 2.1 D | 7700722452 | Polea móvil | VKM 16212 |
| 2.1 Diesel | 2.1 D | 7700721690 | Polea fija | VKM 26212 |

Clio, Clio II

Tensor de distribución

| | | | | |
|-------------------|--|----------------|----------------|-------------|
| 1,2 | D7F-1149 cc | 7700736085 | '01> | VKM 16000 H |
| 1.2 16V | D4F706/12/22/28 1149cc | 8200035827 | '01> | VKM 16002 |
| 1.2 16V | D4F706/12/22/28 1149cc | 7700 273277 | '01> | VKM 16001 |
| 1.4 Nafta | 1.4 N motor E6J | 7700736085 | | VKM 16000 |
| 1.4 y 1.6 Nafta | Motor E7J y K7M | 7700273277 | | VKM 16001 |
| 1.4 16 vál. | Motor K4J710,711,712,713 K4M 708, 748 | 7700108117 | 09/'98 > 03/02 | VKM 16020 |
| 1.4 16 vál. | Motor K4J710,711,712,713 K4M 708, 748 | 7700107150 | 09/'98 > 03/02 | VKM 26020 |
| 1.4 16 vál. | Motor K4M 708, 748 | 7700107150 | 09/'98 > 03/02 | VKM 26020 |
| 1.5 Dci | K9K700/712 1461 cc | 82 00 102 941 | '01> | VKM 16102 |
| 1.6 y 1.8 Nafta | Motor F2N; F3P-714 | 7700726440 | Polea móvil | VKM 16101 H |
| 1.6 y 1.8 Nafta | Motor F2N-; F3P-714 | 7700735486 | Polea fija | VKM 26101 H |
| 1.6 16V | K4M 1598 cc | 77 00 108 117/ | '01> | VKM 16020 |
| 1.6 16V | K4M 1598 cc | 77 00 107 150/ | '01> | VKM 26020 |
| 1.8 16 vál. Nafta | Motor F7P-1764 cc | 7700736419 | Polea móvil | VKM 16112 H |



Renault (cont.)

Clio, Clio II (cont.)

Tensor de distribución (cont.)

| | | | | |
|-------------------|------------------------|---------------|--------------------|-------------|
| 1.8 16 vál. Nafta | F7P-1764 cc | 7700735489 | Polea fija | VKM 26102 H |
| 1.9 Diesel / Td | 1.9 Diesel F8Q 1870 cc | 7700726440 | Polea móvil | VKM 16101 H |
| 1.9 Diesel / Td | 1.9 Diesel F8Q 1870 cc | 7700735489 | Polea fija | VKM 26102 H |
| 1.9 Diesel / Td | 1.9 Diesel F8Q 1870 cc | 7700107249 | | VKM 26125 |
| 1.9 Dti | 1.9 Dti F9Q | 7700100671 | | VKM 26115 |
| 2.0 Nafta | 2.0 N 16 val. | 7700736085 | > '93, Polea móvil | VKM 16112 H |
| 2.0 Nafta | 2.0 N 16 val. | 7700736419 | > '93, Polea fija | VKM 26102 H |
| 2.0 16V Sport | F4R 732/36 1998 cc | 8200061345' | '01 > | VKM 16550 |
| 2.0 16V Sport | F4R 732/36 1998 cc | 8200064664 | '01 > | VKM 26105 |
| 2.0 16V Sport | F4R 732/36 1998 cc | 77 00 108 626 | '01 > | VKM 26310 |

Tensor Poly - V

| | | | | |
|-------------------|---------------------------|-----------------|-------|-------------|
| 1.5 Dci | K9K700/712 1461 cc | C/AA 8200170009 | '01 > | VKM 36053 |
| 1.5 Dci sin AA | K9K700/712 1461 cc | 82 00 048 486 | '01 > | VKM 36050 |
| 1.6 16V | K4M 1598 cc | 7700102931 | '01 > | VKM 36031 |
| 1.6 Nafta | 1.6 N F2N | 7700850603 | | VKM 36013 H |
| 1.8 16 vál. y 2.0 | 1.8 F7P.720/722 y F7R 700 | 7700851321 | | VKM 36006 |
| 1.9 Diesel | Motor 1.9 Diesel | 7700271618 | | VKM 36014 H |
| 2.0 16V Sport | F4R 732/36 1998 cc | 82 00 226 495 | '01 > | VKM 36070 |
| 2.0 16V Sport | F4R 732/36 1998 cc | 77 00 867 985 | '01 > | VKM 36016 |

Express

Tensor de distribución

| | | | | |
|------------|-------------|------------|-------------|-------------|
| 1.9 Diesel | F8Q-1870 cc | 7700726440 | Polea móvil | VKM 16101 H |
| 1.9 Diesel | F8Q-1870 cc | 7700735489 | Polea fija | VKM 26102 H |

Kangoo

Tensor de distribución

| | | | | |
|-----------------|----------------|---------------|-------|-------------|
| 1.4 Nafta | 1.4 N E7J | 7700273277 | | VKM 16001 |
| 1.6 16V | K4M 1598 cc | 77 00 108 117 | '01 > | VKM 16020 |
| 1.6 16V | K4M 1598 cc | 77 00 107 150 | '01 > | VKM 26020 |
| 1.9 Diesel y Td | 1.9 D y TD F8Q | 7700726440 | | VKM 16101 H |
| 1.9 Diesel y Td | 1.9 D y TD F8Q | 7700733489 | | VKM 26102 H |
| 1.9 Diesel y Td | 1.9 D y TD F8Q | 7700107249 | | VKM 26125 |
| 1.9 Td | 1.9 DTi F9Q | 7700726440 | | VKM 16101 H |
| 1.9 Td | 1.9 DTi F9Q | 7700100671 | | VKM 26115 |
| 1.9 Td | 1.9 DTi F9Q | 7700107249 | | VKM 26125 |

Tensor Poly - V

| | | | | |
|---------|-------------|------------|-------|-----------|
| 1.6 16V | K4M 1598 cc | 7700102931 | '01 > | VKM 36031 |
|---------|-------------|------------|-------|-----------|



Renault (cont.)

Laguna

Tensor de distribución

| | | | | |
|-----------------|-------------------|------------|-------------|-------------|
| 1.8 y 2.0 Nafta | 1.8 y 2.0 N | 7700726440 | Polea móvil | VKM 16101 H |
| 1.8 y 2.0 Nafta | 1.8 y 2.0 N | 7700735486 | Polea fija | VKM 26101 H |
| 1.9 Dti | 1.9 Diesel F9Q | 7700726440 | | VKM 16101 H |
| 1.9 Dti | 1.9 Diesel F9Q | 7700100671 | | VKM 26115 |
| 1.9 Dti | 1.9 Diesel F9Q | 7700107249 | | VKM 26125 |
| 2.0 Nafta 16V | 1948 cc motor N7Q | 7439135036 | | VKM 16602 |
| 2.0 Nafta 16V | 1948 cc motor N7Q | 7439146376 | | VKM 26602 |
| 2.2 Diesel | 2.2 D motor G8T | 7700857492 | > '95 | VKM 26500 |
| 2.2 Diesel | 2.2 D motor G8T | 7700873731 | > '95 | VKM 16500 |
| 2.2 Diesel | 2.2 D motor G8T | 7700872531 | > '95 | VKM 16501 |
| 2.2 Diesel | 2.2 D motor G8T | 7700862615 | > '95 | VKM 26501 |

Tensor Poly - V

| | | | | |
|-----------------|-------------------------|------------|------------|-----------|
| 1.8 y 2.0 Nafta | 1.8 N y 2.0 N F3P y F3R | 7700851321 | | VKM 36006 |
| 1.8 Nafta | 1.8 N N7Q | 7439146139 | | VKM 36003 |
| 1.9 Dti | F9Q | 7700867985 | | VKM 36016 |
| 2.2 Diesel / Td | 2.2 D G8T | 7700860455 | C/ AC y DI | VKM 36008 |
| 2.2 Diesel / Td | 2.2 D G8T | 7700864573 | C/ AC y DI | VKM 36011 |

Laguna II

Tensor de distribución

| | | | | |
|----------|----------------|--------------|-------|-----------|
| 1.8 16 V | F4P770/774 | 8200061345 | '01 > | VKM 16550 |
| 1.8 16 V | F4P770/774 | 8200064664 | '01 > | VKM 26105 |
| 2.0 16 V | F4R712 | 8200061345 | '01 > | VKM 16550 |
| 2.0 16 V | F4R712 | 8200064664 | '01 > | VKM 26105 |
| 3.0 V6 | L7X731-2946 cc | 0823.08/9/10 | '01 > | VKM 13902 |
| 3.0 V6 | L7X731-2946 cc | 0830.24 | '01 > | VKM 23900 |

Tensor Poly - V

| | | | | |
|---------------------|------------|---------------|-------|-----------|
| 1.8 16 V / 2.0 16 V | F4P770/774 | 82 00 071 402 | '01 > | VKM 36030 |
| 1.8 16 V / 2.0 16 V | F4R712 | 7700102931 | '01 > | VKM 36031 |

Master

Tensor de distribución

| | | | | |
|------------------|--------------------------------|------------|--|-----------|
| 2.1 Diesel | 2.1 Diesel motor J8S | 7700852114 | | VKM 16212 |
| 2.1 Diesel | 2.1 Diesel motor J8S | 7700721690 | | VKM 26211 |
| 2.5 Diesel | 2.5 D motor S8U/748 Sofin | 7701040204 | | VKM 22385 |
| 2.5 Diesel | 2.5 D motor S8U/748 Sofin | 5001001272 | | VKM 22380 |
| 2.5 TD y 2.8 TDi | 2.5 TD motor S9U y 2.8 TDi S9W | 7701040204 | | VKM 22385 |

Tensor Poly - V

| | | | | |
|------------------|-----------------------|------------|--|-----------|
| 2.5 TD y 2.8 TDi | 2.5 y 2.8 SOFIM C/ AC | 7701035966 | | VKM 36001 |
|------------------|-----------------------|------------|--|-----------|

Master II

Tensor de distribución

| | | | | |
|---------|--------------|------------|-------|-------------|
| 1.9 dTi | F9Q716/30/34 | 7700726440 | '00 > | VKM 16101 H |
|---------|--------------|------------|-------|-------------|

Tensor Poly - V

| | | | | |
|---------|--------|------------|-------|-----------|
| 2.8 dTi | S9W700 | 7701044676 | '01 > | VKM 36017 |
|---------|--------|------------|-------|-----------|



Renault (cont.)

Megane RT / RXE / RT TD / Coupe / Cabriolet / Scenic

Tensor de distribución

| | | | | |
|---------------------|------------------------------|---------------|-------------|-------------|
| 1.6 Nafta | 1.6 K7M/702, 703,790 | 7700736085 | | VKM 16000 |
| 1.6 y 2.0 Nafta | 1.6 K7M/720, 2.0 F3R | 7700726440 | | VKM 16101 H |
| 1.9 Diesel / 1.9 Td | 1.9 D / TD F8Q / 1.9 DTi F9Q | 7700726440 | Polea móvil | VKM 16101 H |
| 1.9 Diesel | 1.9 D / TD F8Q | 7700735486 | Polea fija | VKM 26101 H |
| 1.9 Td | 1.9 DTi F9Q | 7700100671 | | VKM 26115 |
| 1.9 Td | 1.9 DTi F9Q | 7700107249 | | VKM 26125 |
| 2.0 Nafta | 2.0 F3R 798 | 7700735486 | | VKM 26101 H |
| 2.0 Nafta | 2.0 F3R 798 | 7700875305 | | VKM 26123 |
| 2.0 16 vál. | 2.0 16 vál. F7R | 7700736419 | Polea móvil | VKM 16112 H |
| 2.0 16 vál. | 2.0 16 vál. F7R | 7700733489 | Polea fija | VKM 26102 H |
| 2.0 16 vál. | 2.0 16 vál. F7R | 7700107249 | | VKM 26125 |
| 2.0 16 vál. | F4R740-1998 cc | 77 00 114 860 | '01 > | VKM 16550 |
| 2.0 16 vál. | F4R740-1998 cc | 8200064664 | '01 > | VKM 26105 |
| 2.0 16 vál. | F4R740-1998 cc | 77 00 108 626 | '01 > | VKM 26310 |

Tensor Poly - V

| | | | | |
|-----------------|-------------------------|---------------|----------------------|-----------|
| 1.6 Nafta | 1.6 K7M 702/703/720/790 | 7700862108 | C/ AC y DP, > 08/'96 | VKM 36010 |
| 1.6 Nafta | 1.6 K7M 702/703/720/791 | 7700272972 | C/ AC y DP, > 08/'96 | VKM 36005 |
| 1.6 16 vál. | K4M 1598 cc | 7700102931 | '01 > | VKM 36031 |
| 1.9 Diesel y Td | 1.9 D/TD F8Q | 7700870937 | C/ AC | VKM 36016 |
| 1.9 Diesel y Td | 1.9 D/TD | 7700861810 | C/ AC | VKM 36018 |
| 1.9 dTi | F9Q731 | 82 00 065 970 | '97 > | VKM 36035 |
| 1.9 dTi | F9Q731 | 77 00 102 395 | '97 > | VKM 36032 |
| 2.0 Nafta | 2.0 F3R 750/751/752 | 7700851321 | C/ AC | VKM 36006 |
| 2.0 16 vál. | 2.0 16 vál. F7R.710/714 | 7700867985 | C/ AC | VKM 36016 |

Trafic

Tensor de distribución

| | | | | |
|-----------------|------------------------------|------------|-----------------------|-----------|
| 2.2 Nafta | 2.2 N > motor Nº F00305272 | 7700692315 | Polea móvil | VKM 16200 |
| 2.0 y 2.2 Nafta | 2.0 /2.2 N > motor Nº 305273 | 7700745215 | Polea móvil | VKM 16204 |
| 2.1 Diesel | 2.1 D | 7700722452 | Polea móvil, > 01/'95 | VKM 16210 |
| 2.1 Diesel | 2.1 D | 7700722452 | Polea móvil, > 02/'95 | VKM 16212 |
| 2.1 Diesel | 2.1 D | 7700721690 | Polea fija | VKM 26211 |
| 2.5 Diesel | 2.5 D motor S8U | 5001001259 | Polea móvil | VKM 22385 |
| 2.5 Diesel | 2.5 D motor S8U | 5001001272 | Polea fija | VKM 22380 |

Tensor Poly - V

| | | | | |
|------------|-------|------------|--|-----------|
| 2.5 Diesel | 2.5 D | 7701035966 | | VKM 36001 |
|------------|-------|------------|--|-----------|

Twingo

Tensor de distribución

| | | | | |
|-----------|---------|------------|--|------------|
| 1.1 Nafta | 1.1 D7F | 7700736085 | | VKM 16000H |
|-----------|---------|------------|--|------------|

Tensor Poly - V

| | | | | |
|-----------|----------------------|--------------|----------------------------|-----------|
| 1.2 Nafta | 1239 cc, C3G 700/702 | 7700858358 | Sin AC | VKM 36007 |
| 1.2 Nafta | 1239 cc, C3G 700/702 | 7700272652 | C/ AC Tensor p/ Alternador | VKM 36004 |
| 1.2 Nafta | 1239 cc, C3G 700/702 | 7700860884 | C/ AC Tensor p/ AC | VKM 36009 |
| 1.2 i | D7F7001.149cc | 77 00870 795 | '96 > '04 | VKM 36023 |



Rover

Serie 100

Tensor de distribución

| | | | | |
|-------------|-----------------------|------------|-------|-----------|
| 1.4 16 vál. | 14K4 (DOHC) - 1396 cc | LHP 10015 | | VKM 17310 |
| 1.4 diesel | K9A - 1360 cc | LHP 10013 | > '92 | VKM 13120 |
| 1.4 diesel | K9A - 1360 cc | LHV 100080 | | VKM 23120 |
| 1.5 diesel | VJZ - 1527 cc | LHP 10013 | > '95 | VKM 13120 |
| 1.5 diesel | VJZ - 1527 cc | LHV 100080 | | VKM 23120 |

Serie 200

Tensor de distribución

| | | | | |
|-------------|------------------------------------|------------|---------|-----------|
| 1.4 8 vál. | 14K2 - 1396 cc | LHP 10014 | > '89 | VKM 17300 |
| 1.4 16 vál. | 14K4 (DOHC) - 1396 cc | LHP 10015 | > '89 | VKM 17310 |
| 1.6 16 vál. | 16K4 (DOHC) - 1589 cc | LHP 10015 | > '96 | VKM 17310 |
| 1.8 16 vál. | 18K4 (DOHC excepto VVC) 1800 cc | LHP 10015 | > '98 | VKM 17310 |
| 1.8 Td | 8A8 (XUD7T) - 1769 cc | LHP 10010 | > 01/94 | VKM 13241 |
| 1.8 Td | 8A8 (XUD7T) - 1769 cc | LHP 100070 | > 01/95 | VKM 23241 |
| 1.9 Diesel | D9B (XUD9) - 1769 cc | LHP 10010 | > 01/94 | VKM 13241 |
| 1.9 Diesel | D9B (XUD9) - 1769 cc | LHP 100070 | > 01/95 | VKM 23241 |

Tensor Poly - V

| | | | | |
|-----|---------|-----------|--|-----------|
| 1.6 | 1590 cc | PQR 10004 | | VKM 37003 |
|-----|---------|-----------|--|-----------|

Serie 400

Tensor de distribución

| | | | | |
|-------------|-----------------------|-------------|---------|-----------|
| 1.4 8 vál. | 14K2 - 1396 cc | LHP 10014 | > '89 | VKM 17300 |
| 1.4 16 vál. | 14K4 (DOHC) - 1396 cc | LHP 10015 | > '89 | VKM 17310 |
| 1.6 16 vál. | 16K4 (DOHC) - 1589 cc | LHP 10015 | > '96 | VKM 17310 |
| 1.8 Td | 8A8 (XUD7T) - 1769 cc | LHP 10010 | > 01/94 | VKM 13241 |
| 1.8 Td | 8A8 (XUD7T) - 1769 cc | LHP 100070 | > 01/95 | VKM 23241 |
| 2.0 D | 20T2N23 . 1994 cc | LHP100840A | '95 > | VKM 17303 |
| 2.0 D | 20T2N23 . 1994 cc | LHV 100160A | '95 > | VKM 27303 |
| 2.0 D | 20T2N23 . 1994 cc | LHP100550 | '95 > | VKM 17304 |

Tensor Poly - V

| | | | | |
|-----|---------|-----------|--|-----------|
| 1.6 | 1590 cc | PQR 10004 | | VKM 37003 |
|-----|---------|-----------|--|-----------|

Serie 600

Tensor de distribución

| | | | | |
|-----|---------------|------------|-------------------|-----------|
| 1.8 | F18 - 1849 cc | LHP100450 | | VKM 73600 |
| 1.8 | F18 - 1849 cc | LHP 100490 | Arbol de balanceo | VKM 73011 |
| 2.0 | F20 - 1997 cc | LHP100450 | | VKM 73600 |
| 2.0 | F20 - 1997 cc | LHP 100490 | Arbol de balanceo | VKM 73011 |
| 2.3 | H23 - 2259 cc | LHP100450 | | VKM 73600 |
| 2.3 | H23 - 2259 cc | LHP 100490 | Arbol de balanceo | VKM 73011 |

Land Rover

Defender 90/110

Tensor de distribución

| | | | | |
|----------------------|-----------------------|----------|--|-----------|
| 90/110 2.5 Diesel/Td | 12J/19J - 2500 cc | ERC 8861 | | VKM 17400 |
| 90/110 300 | 16L/17L/18L/19L/ | ETC 8560 | | VKM 27404 |
| 2.5 TDi Diesel | 20L/21L/22L - 2495 cc | | | |



Land Rover (cont.)

Defender 90/110

Tensor Poly - V

| | | | | |
|-----------------------|---------|----------|-------------|-----------|
| 90 300 2.5 TDi Diesel | 2500 cc | ERR 2798 | > '95 C/ AA | VKM 37004 |
|-----------------------|---------|----------|-------------|-----------|

Defender 110

Tensor de distribución

| | | | | |
|------------------------|---------------|----------|--|-----------|
| 110 200 2.5 TDi Diesel | 12L - 2495 cc | ETC 8560 | | VKM 27404 |
|------------------------|---------------|----------|--|-----------|

Tensor Poly - V

| | | | | |
|------------------------|---------|----------|-------------|-----------|
| 110 300 2.5 TDi Diesel | 2500 cc | ERR 2798 | > '95 C/ AA | VKM 37004 |
|------------------------|---------|----------|-------------|-----------|

Discovery

Tensor de distribución

| | | | | |
|--------------------|---------------|----------|--|-----------|
| 200 2.5 TDi Diesel | 12L - 2495 cc | ETC 8560 | | VKM 27404 |
|--------------------|---------------|----------|--|-----------|

| | | | | |
|--------------------|---|----------|--|-----------|
| 300 2.5 TDi Diesel | 16L/17L/18L/19L/ 20L/21L/22L - 2495 cc | ETC 8560 | | VKM 27404 |
|--------------------|---|----------|--|-----------|

Tensor Poly - V

| | | | | |
|--------------------|---------|----------|-------------|-----------|
| 300 2.5 TDi Diesel | 2500 cc | ERR 2798 | > '95 C/ AA | VKM 37004 |
|--------------------|---------|----------|-------------|-----------|

Land Rover 110

Tensor de distribución

| | | | | |
|------------------------|-------------------|----------|--|-----------|
| 110 300 2.5 TDi Diesel | 10J/12J - 2495 cc | ERC 8861 | | VKM 17400 |
|------------------------|-------------------|----------|--|-----------|

| | | | | |
|------------------------|---------------|----------|-------|-----------|
| 110 300 2.5 TDi Diesel | 16L - 2495 cc | ETC 8560 | > '95 | VKM 27404 |
|------------------------|---------------|----------|-------|-----------|

Seat

Alhambra

Tensor de distribución

| | | | | |
|-------------------|-----------|-------------|-----------------|-----------|
| 1.8 Turbo 20 val. | Motor AJH | 06B 109 243 | 10/'97 > 06/'02 | VKM 11115 |
|-------------------|-----------|-------------|-----------------|-----------|

| | | | | |
|-----|-----------|-------------|-----------------|-----------|
| 1.8 | Motor AJH | 06B 109 477 | 10/'97 > 06/'02 | VKM 21115 |
|-----|-----------|-------------|-----------------|-----------|

| | | | | |
|-------------------|-----------|---------------|--|-----------|
| 1.8 Turbo 20 val. | Motor AWC | 06B 109 243 A | | VKM 11116 |
|-------------------|-----------|---------------|--|-----------|

| | | | | |
|-----------|-------------|-------------|-----------|-----------|
| 1.8 T 20V | AJH 1781 cc | 06B 109 243 | '97 > '04 | VKM 11115 |
|-----------|-------------|-------------|-----------|-----------|

| | | | | |
|-----------|-------------|-------------|-----------|-----------|
| 1.8 T 20V | AJH 1781 cc | 06B 109 477 | '97 > '04 | VKM 21115 |
|-----------|-------------|-------------|-----------|-----------|

| | | | | |
|-----------|-------------|---------------|-----------|-----------|
| 1.8 T 20V | AWC 1781 cc | 06B 109 243 A | '97 > '04 | VKM 11116 |
|-----------|-------------|---------------|-----------|-----------|

| | | | | |
|---------|------------------|------------------|--|-----------|
| 1.9 TDi | Motor 1Z/AFN/AHU | 028109243 (E, F) | | VKM 11014 |
|---------|------------------|------------------|--|-----------|

| | | | | |
|---------|------------------|-----------|--|-----------|
| 1.9 TDi | Motor 1Z/AFN/AHU | 028109244 | | VKM 21012 |
|---------|------------------|-----------|--|-----------|

| | | | | |
|---------|---------------|---------------|-------|-----------|
| 1.9 TDi | Motor ANU/AUY | 045 109 244 A | > '01 | VKM 21142 |
|---------|---------------|---------------|-------|-----------|

| | | | | |
|---------|---------------|---------------|--|-----------|
| 1.9 TDi | Motor ANU/AUY | 045 109 243 C | | VKM 11142 |
|---------|---------------|---------------|--|-----------|

Tensor Poly - V

| | | | | |
|-----------|-------------|---------------|-----------|-----------|
| 1.8 T 20V | AWC 1781 cc | 06A 903 315 E | '97 > '04 | VKM 31011 |
|-----------|-------------|---------------|-----------|-----------|

| | | | | |
|---------|------------|-----------------|--|-----------|
| 1.9 TDi | 1Z/AFN/AHU | 028 145 278 E/A | | VKM 31004 |
|---------|------------|-----------------|--|-----------|

| | | | | |
|---------|------------------|---------------|-----------|-----------|
| 1.9 TDi | ANU, AUY 1896 cc | 038 903 315 F | '96 > '02 | VKM 31019 |
|---------|------------------|---------------|-----------|-----------|

| | | | | |
|-----|-----|-----------------|--|-----------|
| 2.0 | ADY | 028 145 278 E/A | | VKM 31004 |
|-----|-----|-----------------|--|-----------|

| | | | | |
|-------|-------------|---------------|-----------|-----------|
| 2.0 i | ATM 1984 cc | 06A 903 315 E | '96 > '04 | VKM 31011 |
|-------|-------------|---------------|-----------|-----------|



Seat (cont.)

Ibiza

Tensor de distribución

| | | | | |
|----------------|--------------------------|-------------------------------|---------------|------------------------|
| 1.0 | AER - 999 cc | 030109243 (D, F, J, K) | 09/96 > 06/98 | VKM 11106 |
| 1.4 | AEX/AKV/ANX/APQ-1390 cc | 030109243 (D, F, J, K) | 09/96 > 06/98 | VKM 11106 |
| 1.4 16 vál. | AFH - 1390 cc | 036109244 | > '99 | VKM 21122 |
| 1.6 | AFT - 1588 cc | 056109243 D | '93 > '96 | VKM 11000 |
| 1.6 | 1F - 1595 cc | 056109243 D | > '93 | VKM 11000 |
| 1.8 | ABS/A cc/ADZ - 1781 cc | 056109243 D | > '93 | VKM 11000 |
| 1.8 16 vál. | ADL - 1781 cc | 051109243 | '93 > '96 | VKM 11020 |
| 2.0 | 2E/AGG - 1984 cc | 056109243 D | > '93 | VKM 11000 |
| 2.0 16 vál. | ABF - 1984 cc | 051109243 A | > '93 | VKM 11021 |
| 1.9 Diesel | 1Y - 1896 cc | 028109243 (E, F) | > 06/98 | VKM 11014 |
| 1.9 SDi Diesel | AEY - 1896 cc | 028109243 (E, F) 028109244 | > 06/98 | VKM 11014 VKM 21012 |
| 1.9 Td | AAZ - 1896 cc | 028109243 (E, F) | > 08/97 | VKM 11014 |
| 1.9 TDi Td | 1Z/AFN/AHU/ALE - 1896 cc | 028109243 (E, F) 028109244 | > 06/98 | VKM 11014 VKM 21012 |

Córdoba

Tensor de distribución

| | | | | |
|-----------------------------|---|-------------------------------|---------------|------------------------|
| 1.0 / 1.4 | AER - 999 cc / AEX/AKV/ANX/APQ - 1390 cc | 030109243 (D, F, J, K) | 09/96 > 06/98 | VKM 11106 |
| 1.4 16 vál. | AFH - 1390 cc | 036109244 | > '99 | VKM 21122 |
| 1.6 | AFT - 1588 cc | 056109243 D | '93 > '96 | VKM 11000 |
| 1.6 | 1F - 1595 cc | 056109243 D | > '93 | VKM 11000 |
| 1.8 | ABS/A cc/ADZ - 1781 cc | 056109243 D | > '93 | VKM 11000 |
| 1.8 16 vál. | ADL - 1781 cc | 051109243 | '93 > '96 | VKM 11020 |
| 2.0 | 2E/AGG - 1984 cc | 056109243 D | > '93 | VKM 11000 |
| 2.0 16 vál. | ABF - 1984 cc | 051109243 A | > '93 | VKM 11021 |
| 1.9 Diesel | 1Y - 1896 cc | 028109243 (E, F) | > 06/98 | VKM 11014 |
| 1.9 SDi Diesel / 1.9 TDi Td | AEY/1Z/AFN/AHU/ALE - 1896 cc | 028109243 (E, F) 028109244 | > 06/98 | VKM 11014 VKM 21012 |
| 1.9 Td | AAZ - 1896 cc | 028109243 (E, F) | > 08/97 | VKM 11014 |

Tensor Poly-V

| | | | | |
|-----------------------|-----------------------|---------------|-----------|-----------|
| 1.6 | AEH, AKL 1595 cc | 06A 903 315 E | '00 > '02 | VKM 31011 |
| 1.6 | AEH, AKL 1595 cc | 028 145 278 A | '00 > '02 | VKM 31004 |
| 1.9 SDi / 1.9 T y TDI | AEY, AAZ, AFN 1896 cc | 028 145 278 A | '96 > | VKM 31004 |

Inca

Tensor de distribución

| | | | | |
|----------------------|-----------------------------|-------------------------------|---------------|------------------------|
| 1.4 | AEX/AKV/APQ - 1390 cc | 030109243 (D, F, J, K) | 11/95 > '99 | VKM 11106 |
| 1.6 | AEE - 1598 cc | 030109243 (D, F, J, K) | 06/97 > 12/98 | VKM 11106 |
| 1.7 y 1.9 SDi Diesel | AHB - 1700 cc/AEY - 1896 cc | 028109243 (E, F) 028109244 | 09/96 > '99 | VKM 11014 VKM 21012 |
| 1.9 Diesel | 1Y - 1896 cc | 028109243 (E, F) | > 11/95 | VKM 11014 |

León

Tensor de distribución

| | | | |
|-------------|-----------|-----------------|-----------|
| 1.4 16 vál. | Motor AHW | 036 109 243 E | VKM 11120 |
| 1.4 16 vál. | Motor AHW | 036 109 243 F | VKM 11121 |
| 1.4 16 vál. | Motor AHW | 036 109 244 C/D | VKM 21120 |
| 1.4 16 vál. | Motor AHW | 036 109 181 A | VKM 21121 |



Seat (cont.)

León (cont.)

Tensor de distribución (cont.)

| | | | | |
|-------------------|--------------------------------------|---------------------------------------|--|-------------------------------------|
| 1.8 20 vál. | Motor AGN/AJQ | 06B109243 06B109477 06B109243 A | | VKM 11115 VKM 21115 VKM 11116 |
| 1.9 Sdi y 1.9 TDi | 1.9 Sdi AQM y 1.9 TDi AGR/ALH/AHF | 038109243 G | | VKM 11130 |

Toledo

Tensor de distribución

| | | | | |
|----------------|------------------------------------|--------------------------|-----------------|-------------------------------------|
| 1.6 | 1F/EZ/ABN - 1595 cc | 056109243 D | 05/'91 > 09/'98 | VKM 11000 |
| 1.6 | AEH/AKL - 1595 cc | 06A109479 (A) | 10/'98 > '99 | VKM 11113 |
| 1.6 | AFT/AKS - 1588 cc | 056109243 D | 09/'96 > 09/'98 | VKM 11000 |
| 1.8 16 vál. | KR/PL - 1781 cc | 051109243 | '91 > 03/'94 | VKM 11020 |
| 2.0 16 vál. | ABF - 1984 cc | 051109243 A | 03/'94 > 04/'97 | VKM 11021 |
| 1.9 SDi | AGP - 1896 cc | 058109244 038109244 B | > 10/'98 | VKM 21004 VKM 21130 |
| 1.9 TDi Diesel | AGR/AHF - 1896 cc ALH - 1896 cc | 058109244 038109244 B | > 10/'98 | VKM 21004 VKM 21130 VKM 21131 |

Tensor Poly - V

| | | | | |
|------------|---------------|--------------------------|-----------------|-----------|
| 1.9 TDi Td | AHF - 1896 cc | 038145276 + 038145291 | > 10/'98, C/ AA | VKM 31002 |
|------------|---------------|--------------------------|-----------------|-----------|

Subaru

Impreza

Tensor de distribución

| | | | | |
|------------------------------------|-----------------|--|------------------------|-------------------------------------|
| 1.6 (GC3, GC4, GF3, GF4) | EJ16E - 1600 cc | 13069 - (AA034, AA0035, AA0036) 13073 - (AA081, AA140, AA142) 13085 - AA10 | > 01/'93 cantidad 2 | VKM 78000 VKM 88000 VKM 88001 |
| 1.8 (GC5, GC6, GF5, GF6, GM5, GM6) | EJ18E - 1800 cc | 13069 - (AA034, AA0035, AA0036) 13073 - (AA081, AA140, AA142) 13085 - AA10 | > 11/'92 cantidad 2 | VKM 78000 VKM 88000 VKM 88001 |
| 2.2 (GCC, GFC, GMC) | EJ22E - 2200 cc | 13069 - (AA034, AA0035, AA0036) 13073 - (AA081, AA140, AA142) 13085 - AA10 | > 08/'94 cantidad 2 | VKM 78000 VKM 88000 VKM 88001 |

Suzuki

Baleno

Tensor de distribución

| | | | | |
|-------------|---------|-------------------------------|-----------|-----------|
| 1.5 (SY415) | 1500 cc | 12810 - (71C00, 71C01, 71C02) | '95 > '97 | VKM 76001 |
| 1.6 (SY416) | 1600 cc | 12810 - (71C00, 71C01, 71C02) | '95 > '99 | VKM 76001 |

Sidekick

Tensor de distribución

| | | | | |
|---------------|----------------|-----------------------------|--|-----------|
| 1.6 (TA01C/V) | G 16 - 1600 cc | 12810 - 82001, 82002, 82003 | | VKM 76202 |
|---------------|----------------|-----------------------------|--|-----------|

Swift

Tensor de distribución

| | | | | |
|-----|-----------------------|-------------------------------|----------|-----------|
| 1.0 | G 10 - 1000 cc | 12810 - 86500, 86501 | > 12/'96 | VKM 76203 |
| 1.3 | G 13 (DOHC) - 1300 cc | 12810 - 53B00, 53B01 | > 03/'96 | VKM 76200 |
| 1.3 | G 13 (SOHC) - 1300 cc | 12810 - 82001, 82002, 82003 | > 03/'96 | VKM 76202 |
| 1.6 | G 16 - 1600 cc | 12810 - (71C00, 71C01, 71C02) | | VKM 76001 |

Vitara

Tensor de distribución

| | | | | |
|----------------------|-------------------------|-------------------------------|-------|-----------|
| 1.6 (TA01C/V) | G 16 - 1600 cc (2 vál.) | 12810 - 82001, 82002, 82003 | > '96 | VKM 76202 |
| 1.6 (TA02C/V, TD01V) | G 16 - 1600 cc (4 vál.) | 12810 - (71C00, 71C01, 71C02) | > '96 | VKM 76001 |



Toyota

Camry

Tensor de distribución

| | | | | |
|-------------------------|------------------|---|---------|------------------------|
| 1.8 (SV40) | 4S-FE - 1800 cc | 13505 - 74010, 74011 13503 - 63010, 63011, 63020 | > 11/95 | VKM 71003 VKM 81004 |
| 2.0 (SV41-43) | 3S-FE - 2000 cc | 13505 - 74010, 74011 13503 - 63010, 63011, 63020 | > 11/95 | VKM 71003 VKM 81004 |
| 2.2 (SXV10, SXV20) | 5S-FE - 2200 cc | 13505 - 74010, 74011 13503 - 63010, 63011, 63020 | > 07/96 | VKM 71003 VKM 81004 |
| 2.2 Diesel (CV40, CV43) | 3C-T - 2200 cc | 13505 - 64011, 64020, 64021 13503 - 64010, 64020 | > 11/95 | VKM 71100 VKM 81100 |
| 3.0 (MCV20) | 1MZ-FE - 3000 cc | 13505 - 20010, 20020 13503 - 64010, 64020 | > 07/96 | VKM 71004 VKM 81000 |

Celica

Tensor de distribución

| | | | | |
|--------------------|-------------------------------------|---|--------------------------------|------------------------|
| 2.0 (ST202, ST203) | 3S-FE - 2000 cc | 13505 - 74010, 74011 13503 - 63010, 63011, 63020 | 09/93 > 04/96 | VKM 71003 VKM 81004 |
| 2.0 (ST202, ST205) | 3S-GE - 2000 cc 3S-GTE - 2000 cc | 13505 - 88480 13503 - 63010, 63011, 63020 | 09/93 > 12/95 09/93 > 04/96 | VKM 71013 VKM 81004 |
| 2.2 (ST204) | 5S-FE - 2200 cc | 13505 - 74010, 74011 13503 - 63010, 63011, 63020 | 09/93 > 04/96 | VKM 71003 VKM 81004 |

Coaster (Bus)

Tensor de distribución

| | | | | |
|---------------------------|-----------------|----------------------|---------------|-----------|
| 4.2 Diesel (HDB5#) | 1HD-T - 4200 cc | 13505 - 17010, 17011 | 01/93 > 06/94 | VKM 71012 |
| 4.2 Diesel (HZB4#, HZB5#) | 1HZ - 4200 cc | 13505 - 17010, 17011 | 01/93 > 06/94 | VKM 71012 |

Conquest

Tensor de distribución

| | | | | |
|------------|-----------------|---------------|---------|-----------|
| 1.6 (AE92) | 4A-FE - 1600 cc | 13505 - 15050 | > 09/93 | VKM 71007 |
| 1.8 (AE93) | 7A-FE - 1800 cc | 13505 - 15050 | > 09/93 | VKM 71007 |

Corolla

Tensor de distribución

| | | | | |
|--------------------|-----------------|---|---------------|------------------------|
| 1.3 (EE110) | 2E - 1300 cc | 13505 - 11010, 11011, 11020 13503 - 10011, 10021 | > 05/95 | VKM 71201 VKM 81201 |
| 1.3 (EE111) | 4E-FE - 1300 cc | 13505 - 11040, 11050 13503 - 11030, 11040 | > 05/95 | VKM 71400 VKM 81400 |
| 1.5 (AE110) | 5A-FE - 1500 cc | 13505 - 15050 | > 05/95 | VKM 71007 |
| 1.6 (AE111) | 4A-FE - 1600 cc | 13505 - 15050 | > 05/95 | VKM 71007 |
| 2.0 Diesel (CE10#) | 2C - 2000 cc | 13505 - 64011, 64020, 64021 13503 - 64010, 64020 | 06/91 > 03/93 | VKM 71100 VKM 81100 |

Corona

Tensor de distribución

| | | | | |
|-------------|-----------------|---|---------|------------------------|
| 2.0 (ST210) | 3S-FE - 2000 cc | 13505 - 74010, 74011 13503 - 63010, 63011, 63020 | > 01/96 | VKM 71003 VKM 81004 |
|-------------|-----------------|---|---------|------------------------|

Hilux

Tensor de distribución

| | | | | |
|-------------------------------|------------------|---------------------------------------|---------|------------------------|
| 2.4 Diesel (LN80, LN85, LN90) | 2L - 2400 cc | 13505 - 54020, 54021 13503 - 54030 | > 02/95 | VKM 71002 VKM 81002 |
| 2.8 Diesel (LN10#) | 3L - 2800 cc | 13505 - 54020, 54021 13503 - 54030 | > 02/95 | VKM 71002 VKM 81002 |
| 2.8 Diesel (LN81, LN86) | 3L - 2800 cc | 13505 - 54020, 54021 13503 - 54030 | > 02/95 | VKM 71002 VKM 81002 |
| To3.0 Diesel (KZN130) | 1KZ-TE - 3000 cc | 13505 - 67040 | > 02/95 | VKM 71014 |



Toyota (cont.)

Landcruiser

Tensor de distribución

| | | | | |
|----------------------------------|------------------|---------------------------------------|---------|------------------------|
| 2.4 Diesel (LJ71, LJ78) | 2L-TE - 2400 cc | 13505 - 54020, 54021 13503 - 54030 | | VKM 71002 VKM 81002 |
| 3.0 Diesel (KZJ90, KZJ95) | 1KZ-TE - 3000 cc | 13505 - 67040 | > 04/96 | VKM 71014 |
| 4.2 Diesel (HZJ70, HZJ73, HZJ75) | 1HZ - 4200 cc | 13505 - 17010, 17011 | | VKM 71012 |

RAV 4

Tensor de distribución

| | | | | |
|--------------------|-----------------|--|---------|------------------------|
| 2.0 (SXA10, SXA11) | 3S-FE - 2000 cc | 13505 - 74010, 74011 13503 - 63010, 63011, 63020 | > 07/96 | VKM 71003 VKM 81004 |
|--------------------|-----------------|--|---------|------------------------|

Volkswagen

Bora

Tensor de distribución

| | | | | |
|-------------------|--|---------------|-------|-----------|
| 1.6 y 2.0 Nafta | 1.6 N motor AEH/AKL y 2.0 motor APK/AQY | 06A109479 | | VKM 11113 |
| 1.9 SDi y 1.9 TDi | 1.9 Sdi AGP y 1.9 Tdi AHF/ALH | 038109243 G | | VKM 11130 |
| 1.9 SDi y 1.9 TDi | 1.9 Sdi AGP y 1.9 Tdi AHF/ALH | 058109244 | | VKM 21004 |
| 1.9 SDi y 1.9 TDi | 1.9 Sdi AGP y 1.9 Tdi AHF/ALH | 038109244 H | | VKM 21130 |
| 1.9 SDi y 1.9 TDi | 1.9 Sdi AGP y 1.9 Tdi AHF/ALH | 038109244 E | | VKM 21131 |
| 1.9 TDi | 1.9 AJN/ARL/ATD | 045109243 C | | VKM 11142 |
| 1.9 TDi | AJM 1896 cc | 045 109 243 A | '98 > | VKM 11142 |
| 1.9 TDi | AJM 1896 cc | 045 109 244 A | '98 > | VKM 21142 |

Tensor Poly - V

| | | | | |
|----------------|-----------------|---------------|-----------|-----------|
| 1.6, 1.8, 1.8T | 1595cc, 1781cc | 06A 903 315 E | '96 > '04 | VKM 31011 |
| 1.9 TDi | 1.9 Tdi AHF/ALH | 038145276 | | VKM 31002 |
| 1.9 TDi | 1896 cc | 038145 278 | '96 > '04 | VKM 31013 |

Caddy

Tensor de distribución

| | | | | |
|------------|-------------------------------|-------------|--|-----------|
| 1.8 Nafta | 1.8 JH | 026109243 E | | VKM 11000 |
| 1.6 Diesel | | 068109243 F | | VKM 11010 |
| 1.9 Diesel | 1.9 D 1Y y 1.9 SDi AEY/AHB | 028109243 E | | VKM 11014 |
| 1.9 Diesel | 1.9 SDi AEY/AHB | 028109244 | | VKM 21012 |

Tensor Poly - V

| | | | | |
|--|--|-------------|--|-----------|
| 1.6; 1.8; 2.0; 2.0 16 vál. y 1.9 TD | | 028145278 E | | VKM 31004 |
|--|--|-------------|--|-----------|

Carat

Tensor de distribución

| | | | | |
|-----------|------------------|-------------|--|-----------|
| 1.6 Nafta | Motor Audi VW827 | 026109243 E | | VKM 11000 |
|-----------|------------------|-------------|--|-----------|

Gol BX, AB9 / Saveiro / Senda / Gacel

Tensor de distribución

| | | | | |
|----------------------|-------------------------------------|-------------|--|-----------|
| 1.6, 1.8 y 2.0 Nafta | 1.6, 1.8, 2.0 N motor Audi VW827 | 026109243 E | Polea móvil, Gol, Saveiro, Gacel, Senda | VKM 11000 |
| 1.6 y 1.9 Diesel | 1.6, 1.9 D | 068109243 F | Polea móvil. Gol, Saveiro, Senda | VKM 11010 |



Volkswagen (cont.)

Gol BX, AB9 / Saveiro / Senda / Gacel (cont.)

Tensor Trapezoidal

| | | | | |
|------------|------------------------|-----------|------------|-----------|
| 1.6 Diesel | 1.6 D Polea ventilador | 068260940 | Gol Diesel | VKM 31009 |
|------------|------------------------|-----------|------------|-----------|

Golf 1.8 N; GTI 2.0; 1.9 DT

Tensor de distribución

| | | | | |
|-------------------|--------------------|-------------|-------------------|-----------|
| 1.6 Nafta | 1.6 N | 030109243 D | | VKM 11106 |
| 1.8 y 2.0 Nafta | 1.8, 2.0 N | 026109243 | > '92 Polea móvil | VKM 11000 |
| 1.8 y 2.0 16 vál. | 1.8, 2.0 16V N | 051109243 | Polea móvil | VKM 11020 |
| 1.9 Diesel | 1.9 D | 068109243 | Polea móvil | VKM 11014 |
| 1.9 TDI | 1.9 TDI | 28109244 | | VKM 21012 |
| 1.9 TDI | 1.9 TDI, motor AJM | 045109243 C | | VKM 11142 |

Tensor Poly - V

| | | | | |
|-------------------------------------|-----------------|---------------|-----------|-----------|
| 1.6; 1.8; 2.0; 2.0 16 vál. y 1.9 TD | | 028145278 E | | VKM 31004 |
| 2.0. | AWF-AWG 1984 cc | 028 145 278 A | '00 > '02 | VKM 31004 |
| 2.0. | APK-AQY 1984 cc | 06A 903 315 E | '00 > '02 | VKM 31011 |

New Beetle

Tensor de distribución

| | | | | |
|-----------|-----------------------|-------------|-------|-----------|
| 1.8 Nafta | 1.8 N motor AVC | 06B109243 | | VKM 11115 |
| 1.8 Nafta | 1.8 N motor AVC | 06B109477 | | VKM 21115 |
| 2.0 Nafta | 2.0 N motor AEG / AQY | 06A109479 | | VKM 11113 |
| 1.9 TDI | 1.9 TDi motor ALH | 038109243 G | | VKM 11130 |
| | | 058109244 | | VKM 21004 |
| | | 038109244 H | | VKM 21130 |
| | | 038109244 E | | VKM 21131 |
| 1.9 TDI | AXR/ ATD 1896 cc | 038109243 M | '03 > | VKM 11250 |
| | | 038109244 J | '03 > | VKM 21147 |

Tensor Poly - V

| | | | | |
|---------|-------------------|-----------|-------|-----------|
| 1.9 TDI | 1.9 TDi motor ALH | 038145276 | | VKM 31002 |
| 1.9 TDI | AXR/ ATD 1896 cc | 038145278 | '03 > | VKM 31013 |

Passat

Tensor de distribución

| | | | | |
|-------------------|--|---------------|------------------------|-----------|
| 2.0 Nafta | 2.0 N | 026109243 E | '89 >'94 Polea móvil | VKM 11000 |
| 2.0 Nafta | 2.0 N 5 cilindros | 069109243 B | '85 > '89 Polea fija | VKM 21031 |
| 1.6 Nafta | 1.6 N AHL | 06A109479 | | VKM 11113 |
| 1.8 Nafta | 1.8 N AEB / AFY | 058109243 B | | VKM 11004 |
| 1.8 Nafta | 1.8 N AEB / AFY | 058109244 | | VKM 21004 |
| 2.0 Nafta 16 vál. | 2.0 16 vál. ABF, > N° 020922 | 051109243 | | VKM 11020 |
| 2.0 Nafta 16 vál. | 2.0 16 vál. ABF, > N° 020923 | 051109243 A | | VKM 11021 |
| 2.8 Nafta V 6 | 2.8 V6 N motor ACK/AGE/ALG/APR/AQD/ATX | 078109244 H | | VKM 21202 |
| 1.9 Diesel | 1.9 D | 068109243 F | '88 > '94, Polea móvil | VKM 11010 |
| 1.9 TDi | 1.9 TDi AFN / AHU | 068109243 | | VKM 11014 |
| 1.9 TDi | 1.9 TDi AFN / AHU y AHH | 028109244 | | VKM 21012 |
| 1.9 TDi | 1.9 TDi AJH | 045109244 A | | VKM 21142 |
| 2.5 TDi | 2.5 TDi AFB / AKN | 059109243 D | | VKM 11150 |
| 2.5 TDi | 2.5 TDi AFB / AKN | 059109243 F/G | | VKM 11151 |
| 2.5 TDi | 2.5 TDi AFB / AKN | 59109244 | | VKM 21150 |

Tensor Poly - V

| | | | | |
|-------------------|-----------------------------------|-------------|-------|-----------|
| 1.8, 2.0, 1.9 TDI | Todos los modelos excepto VR6 2.8 | 028145278 E | '05 > | VKM 31004 |
|-------------------|-----------------------------------|-------------|-------|-----------|



Volkswagen (cont.)

Pointer

Tensor de distribución

| | | | | |
|----------------------|-----------------------------------|-------------|-------------|-----------|
| 1.6, 1.8 y 2.0 Nafta | 1.6, 1.8, 2.0 N motor Audi VW 827 | 026109243 E | Polea móvil | VKM 11000 |
|----------------------|-----------------------------------|-------------|-------------|-----------|

Polo 1.6 N; 1.9 D

Tensor de distribución

| | | | | |
|------------------|-------------------------|-------------|-------------|-----------|
| 1.6 y 1.8 Nafta | 1.6 N motor Audi VW 827 | 026109243 E | Polea móvil | VKM 11000 |
| 1.6 y 1.9 Diesel | 1.6 D y 1.9 D | 068109243 B | | VKM 11010 |
| 1.9 Tdi | 1.9 Tdi | 028109243 F | | VKM 11014 |
| 1.9 Tdi | 1.9 Tdi | 28109244 | | VKM 21012 |

Tensor Poly - V

| | | | | |
|----------------|--|-------------|-------------------|-----------|
| Nafta y Diesel | | 028145278 E | Todos los modelos | VKM 31004 |
|----------------|--|-------------|-------------------|-----------|

Quantum 1.8/2.0

Tensor de distribución

| | | | | |
|-----------------|-------------------|-------------|--|-----------|
| 1.8 y 2.0 Nafta | Motor Audi VW 827 | 026109243 E | | VKM 11000 |
|-----------------|-------------------|-------------|--|-----------|

Transporter

Tensor de distribución

| | | | | |
|------------|-------------------|-------------|-------------------|-----------|
| 1.9 Diesel | 1.9 D motor 1X | 068109243 F | > motor N° 120077 | VKM 11010 |
| 1.9 Diesel | 1.9 D motor 1X | 068109243 | > motor N° 120078 | VKM 11014 |
| 1.9 Td | 1.9 TD motor ABL | 068109243 F | > motor N° 029319 | VKM 11010 |
| 1.9 Td | 1.9 TD motor ABL | 068109243 | > motor N° 029320 | VKM 11014 |
| 2.0 Nafta | Motor Audi VW 827 | 026109243 E | | VKM 11000 |

Volvo

Serie 850

Tensor de distribución

| | | | | |
|-------------------|--|--------------------|-----------|------------------------|
| 2.0 10 vál. | B5202 y B5204 - 1984 cc >motor N° 131034 | 6842593 9146258 | '93 > '97 | VKM 16600 VKM 26600 |
| 2.0 10 vál. | B5202 y B5204 - 1984 cc Desde motor N° 131035 | 9135036 9146376 | '93 > '97 | VKM 16602 VKM 26602 |
| 2.0 20 vál. Turbo | B5204T - 1984 cc >motor N° 131034 | 6842593 9146258 | '93 > '97 | VKM 16600 VKM 26600 |
| 2.0 20 vál. Turbo | B5204T - 1984 cc Desde motor N° 131035 | 9135036 9146376 | '93 > '97 | VKM 16602 VKM 26602 |
| 2.3 20 vál. | B5234 - 2318 cc >motor N° 131034 | 6842593 9146258 | '93 > '97 | VKM 16600 VKM 26600 |
| 2.3 20 vál. | B5234 - 2318 cc Desde motor N° 131035 | 9135036 9146376 | '93 > '97 | VKM 16602 VKM 26602 |
| 2.3 20 vál. Turbo | B5234 - 2318 cc >motor N° 131034 | 6842593 9146258 | '93 > '97 | VKM 16600 VKM 26600 |
| 2.3 20 vál. Turbo | B5234 - 2318 cc Desde motor N° 131035 | 9135036 9146376 | '93 > '97 | VKM 16602 VKM 26602 |
| 2.4 10 vál. | B5252 - 2435 cc >motor N° 131034 | 6842593 9146258 | '93 > '97 | VKM 16600 VKM 26600 |
| 2.4 10 vál. | B5252 - 2435 cc Desde motor N° 131035 | 9135036 9146376 | '93 > '97 | VKM 16602 VKM 26602 |
| 2.4 20 vál. Turbo | B5254 - 2435 cc >motor N° 131034 | 6842593 9146258 | '93 > '97 | VKM 16600 VKM 26600 |
| 2.4 20 vál. Turbo | B5254 - 2435 cc Desde motor N° 131035 | 9135036 9146376 | '93 > '97 | VKM 16602 VKM 26602 |



Volvo (cont.)

Serie 850 (cont.)

Tensor Poly - V

| | | | | |
|-------------------|------------------------------------|---------|-----------------------|-----------|
| 2.0 20 vál. | B5202S/B5204FS/ B5204T/B5204T2/ | 9146139 | desde motor N° 121321 | VKM 36003 |
| 2.3 20 vál. Turbo | B5224T4/B5234S/ B5234T/B5234T5 | 9146139 | desde motor N° 121321 | VKM 36003 |
| 2.5 10 vál. | B5252FS/B5254FS - 2435 cc | 9146139 | desde motor N° 121321 | VKM 36003 |

Serie C/S/N 70

Tensor de distribución

| | | | | |
|-------------------|--|--------------------|-------|------------------------|
| 2.0/2.5 10 vál. | B5202-1984 cc/B5252-2435 cc >motor N° 1266127 | 9135036 9146376 | > '98 | VKM 16602 VKM 26602 |
| 2.0/2.5 10 vál. | B5202-1984 cc/B5252 -2435 cc desde motor N° 1266128 | 9440329 9146376 | > '98 | VKM 16604 VKM 26602 |
| 2.0 20 vál. Turbo | B5204T - 1984 cc >motor N° 1266127 | 9135036 9146376 | > '97 | VKM 16602 VKM 26602 |
| 2.0 20 vál. Turbo | B5204T - 1984 cc Desde motor N° 1266128 | 9440329 9146376 | > '98 | VKM 16604 VKM 26602 |
| 2.3 20 vál. Turbo | B5234 - 2318 cc >motor N° 1266127 | 9135036 9146376 | > '97 | VKM 16602 VKM 26602 |
| 2.3 20 vál. Turbo | B5234 - 2318 cc Desde motor N° 1266128 | 9440329 9146376 | > '98 | VKM 16604 VKM 26602 |
| 2.5 20 vál. | B5254T - 2435 cc >motor N° 1266127 | 9135036 9146376 | > '97 | VKM 16602 VKM 26602 |
| 2.5 20 vál. | B5254T - 2435 cc Desde motor N° 1266128 | 9440329 9146376 | > '98 | VKM 16604 VKM 26602 |
| 2.5 20 vál. Turbo | B5254T - 2435 cc >motor N° 1266127 | 9135036 9146376 | > '97 | VKM 16602 VKM 26602 |
| 2.5 20 vál. Turbo | B5254T - 2435 cc Desde motor N° 1266128 | 9440329 9146376 | > '98 | VKM 16604 VKM 26602 |

Serie S40/V40

Tensor de distribución

| | | | | |
|-------------------|--|----------------------|-------|------------------------|
| 1.6 16 vál. | B4164S - 1587 cc >motor N° 1219110 | 9135036 9146376 | > '97 | VKM 16602 VKM 26602 |
| 1.6 16 vál. | B4164S - 1587 cc desde motor N° 1219111 | 9440329 9146376 | > '98 | VKM 16604 VKM 26602 |
| 1.8 16 vál. | B418S - 1731 cc >motor N° 1219110 | 9135036 9146376 | > '97 | VKM 16602 VKM 26602 |
| 1.8 16 vál. | B418S - 1731 cc desde motor N° 1219111 | 9440329 9146376 | > '98 | VKM 16604 VKM 26602 |
| 1.9 16 vál. Turbo | B419T - 1855 cc >motor N° 1219110 | 9135036 9146376 | > '97 | VKM 16602 VKM 26602 |
| 1.9 16 vál. Turbo | B419T - 1855 cc desde motor N° 1219111 | 9440329 9146376 | > '98 | VKM 16604 VKM 26602 |
| 2.0 16 vál. Turbo | B420 - 1855 cc >motor N° 1219110 | 9135036 9146376 | > '97 | VKM 16602 VKM 26602 |
| 2.0 16 vál. Turbo | B420 - 1855 cc desde motor N° 1219111 | 9440329 9146376 | > '98 | VKM 16604 VKM 26602 |
| 1.9 Td | D4192T - 1870 cc >motor N° 3534 correa dist. 58153 x 25,4 HSN | 30855993 30855992 | > '97 | VKM 16101 VKM 26101 |
| 1.9 Td | D4192T - 1870 cc desde motor N° 3535 correa dist. 76153 x 25,4 HSN | 30855993 30855992 | > '98 | VKM 16101 VKM 26101 |

Serie S80

Tensor de distribución

| | | | | |
|-----------|------------------|---------|-------|-----------|
| 2.0 Turbo | B5204T - 1984 cc | 9146376 | > '99 | VKM 26602 |
|-----------|------------------|---------|-------|-----------|

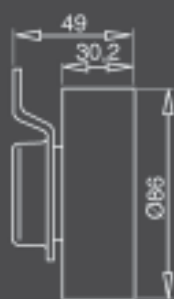


Volvo (cont.)

Serie S90/V90

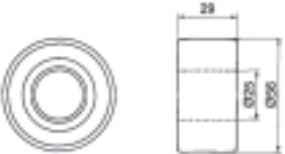
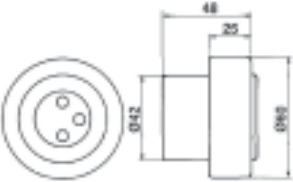
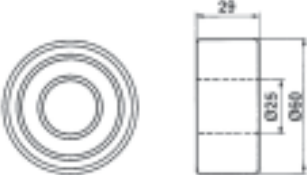
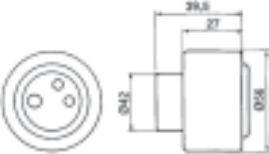
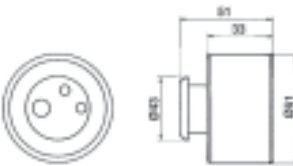
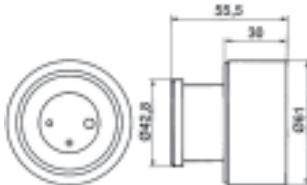
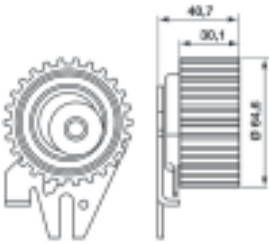
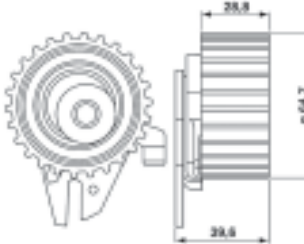
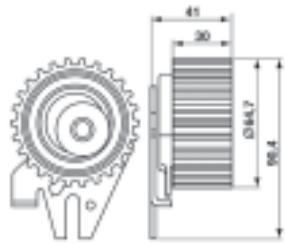
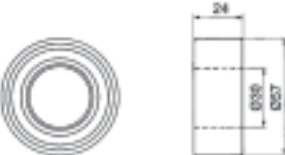
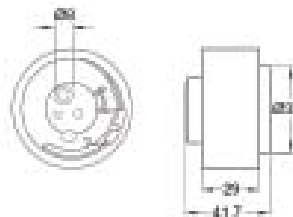
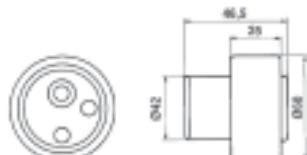
Tensor de distribución

| | | | | |
|-------------|-----------------|--------------------|-------|------------------------|
| 2.0 | B200 - 1986 cc | 463633 | > '95 | VKM 16300 |
| 2.3 | B230 - 2316 cc | 463633 | > '95 | VKM 16300 |
| 3.0 24 vál. | B6304 - 2922 cc | 9135036 9135556 | > '95 | VKM 16602 VKM 26612 |



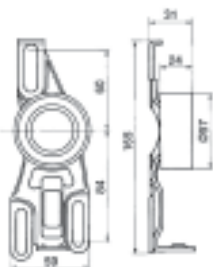
| | | |
|------------------|------------------|------------------|
| <p>VKM 11000</p> | <p>VKM 11001</p> | <p>VKM 11003</p> |
| <p>VKM 11004</p> | <p>VKM 11008</p> | <p>VKM 11010</p> |
| <p>VKM 11014</p> | <p>VKM 11020</p> | <p>VKM 11021</p> |
| <p>VKM 11050</p> | <p>VKM 11072</p> | <p>VKM 11073</p> |

| | | |
|------------------|------------------|------------------|
| <p>VKM 11106</p> | <p>VKM 11113</p> | <p>VKM 11115</p> |
| <p>VKM 11116</p> | <p>VKM 11210</p> | <p>VKM 11211</p> |
| <p>VKM 11130</p> | <p>VKM 11142</p> | <p>VKM 11050</p> |
| <p>VKM 11151</p> | <p>VKM 11200</p> | <p>VKM 11201</p> |

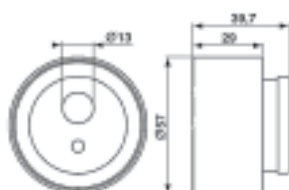
| | | |
|--|--|---|
| <p>VKM 12003</p>  | <p>VKM 12005</p>  | <p>VKM 12100</p>  |
| <p>VKM 12101</p>  | <p>VKM 12151</p>  | <p>VKM 12153</p>  |
| <p>VKM 12172</p>  | <p>VKM 12173</p>  | <p>VKM 12174</p>  |
| <p>VKM 12200H</p>  | <p>VKM 12201</p>  | <p>VKM 12227</p>  |

| | | |
|------------------|------------------|------------------|
| <p>VKM 12242</p> | <p>VKM 12500</p> | <p>VKM 12501</p> |
| <p>VKM 12630</p> | <p>VKM 13100</p> | <p>VKM 13120</p> |
| <p>VKM 13130</p> | <p>VKM 13140</p> | <p>VKM 13200</p> |
| <p>VKM 13202</p> | <p>VKM 13120</p> | <p>VKM 13130</p> |

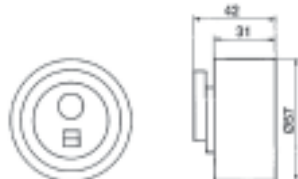
VKM 13200



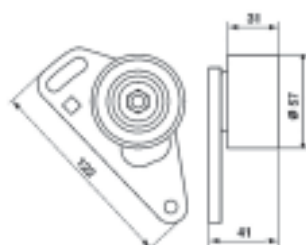
VKM 13202



VKM 13210



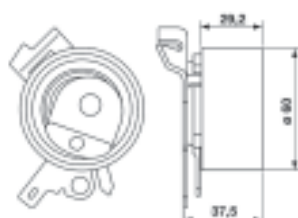
VKM 13211



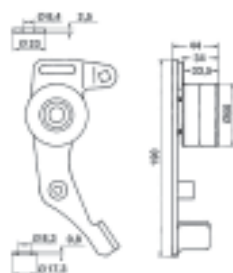
VKM 13220



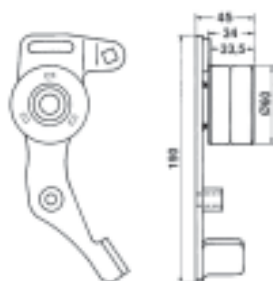
VKM 13234



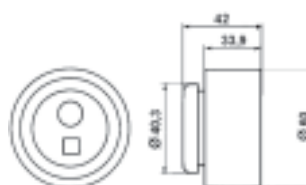
VKM 13240



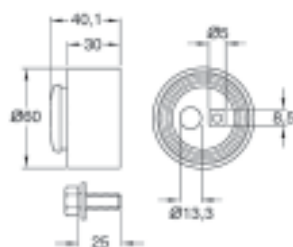
VKM 13241



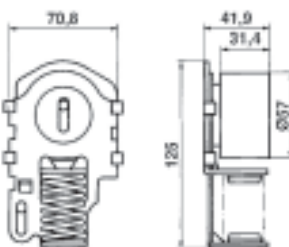
VKM 13244



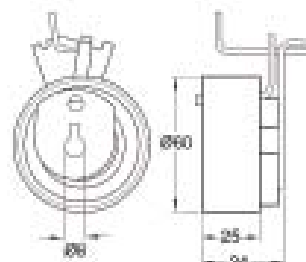
VKM 13246



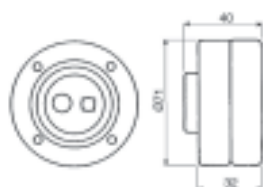
VKM 13250



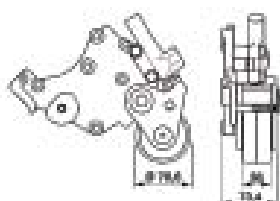
VKM 13253



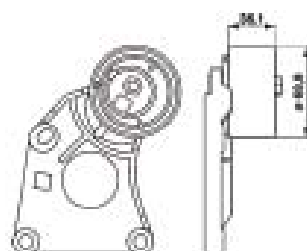
VKM 13300



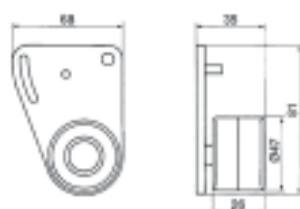
VKM 13304



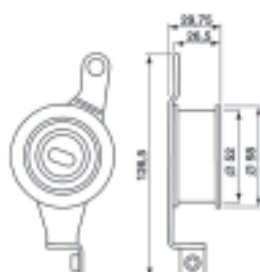
VKM 13902



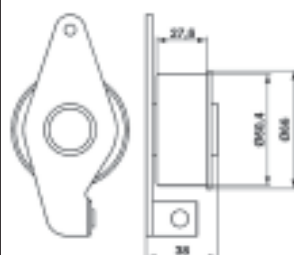
VKM 14000 H



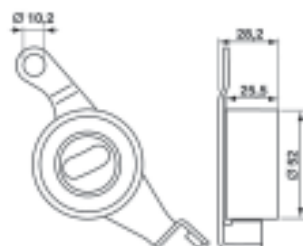
VKM 14100



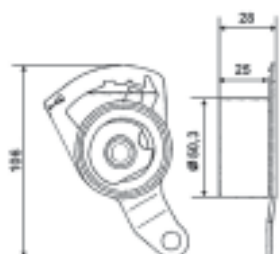
VKM 14103



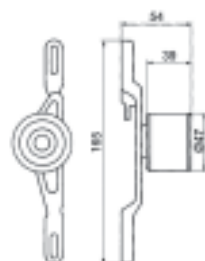
VKM 14105



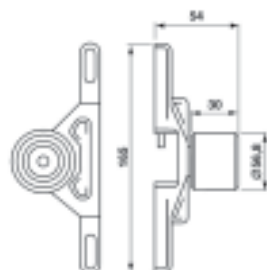
VKM 14107



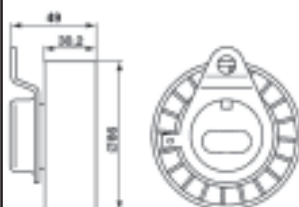
VKM 14200



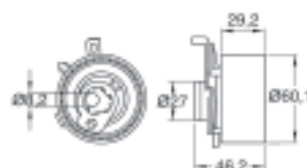
VKM 14201



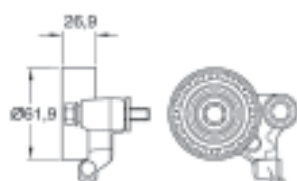
VKM 14210



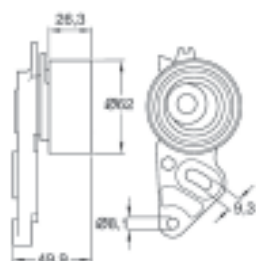
VKM 14211



VKM 14220



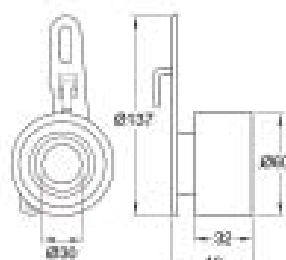
VKM 14222



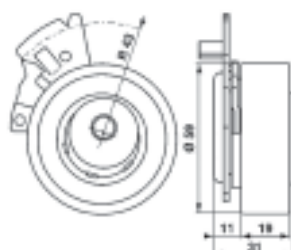
VKM 14300



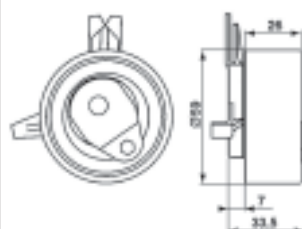
VKM 14301



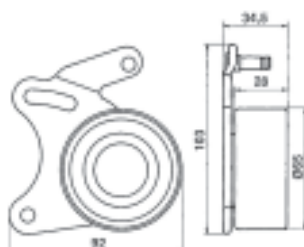
VKM 15121



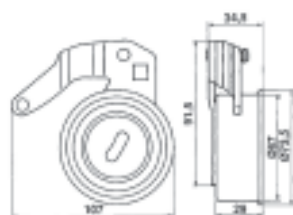
VKM 15202



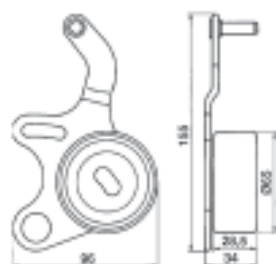
VKM 15210



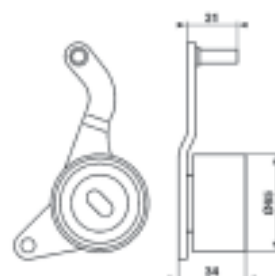
VKM 15211



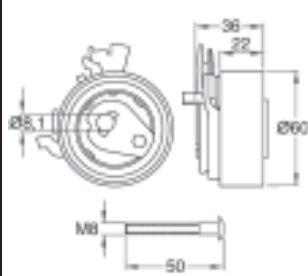
VKM 15213



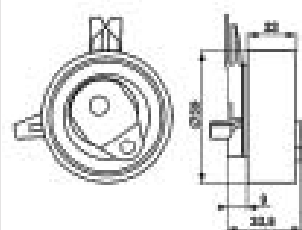
VKM 15215

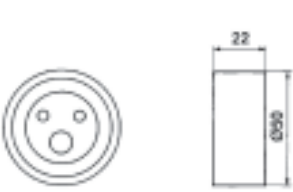
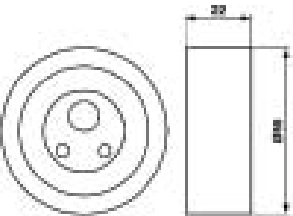
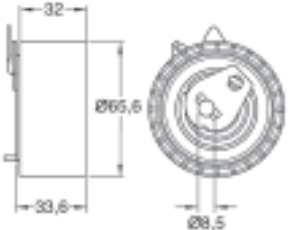
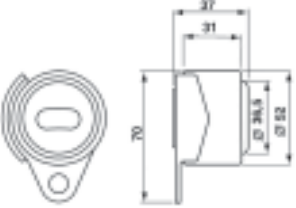
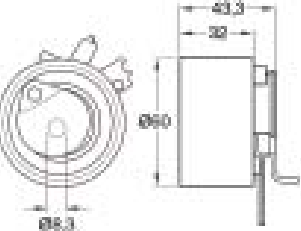
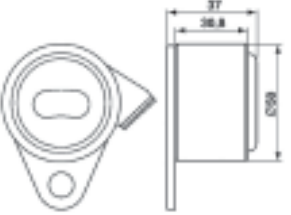
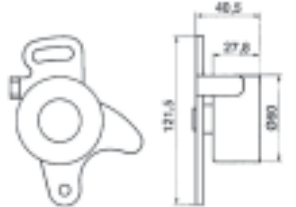
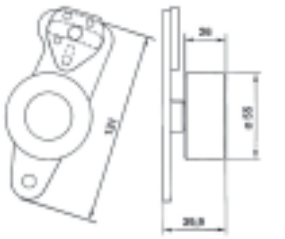
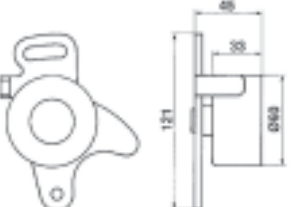
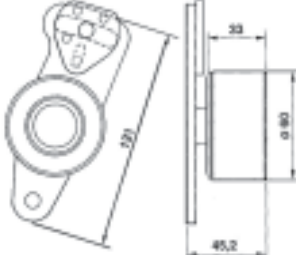
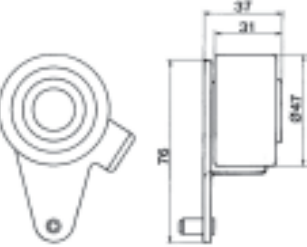
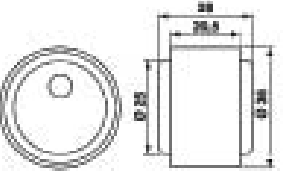


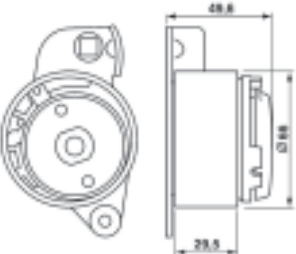
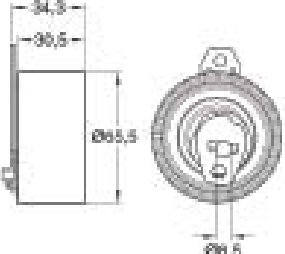
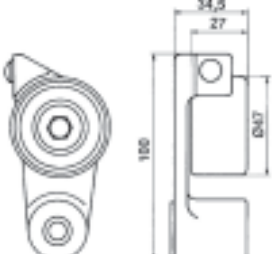
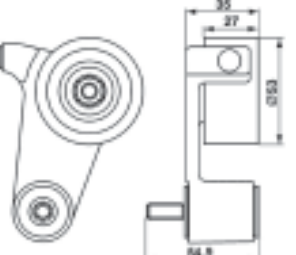
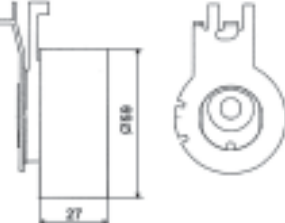
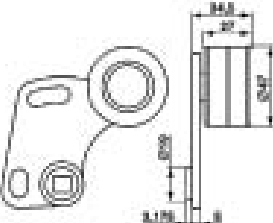
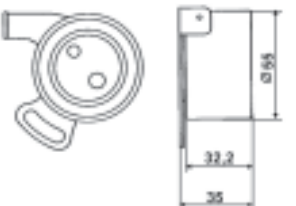
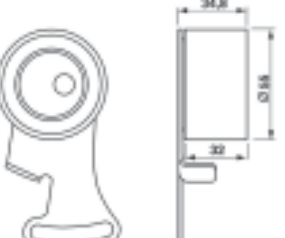
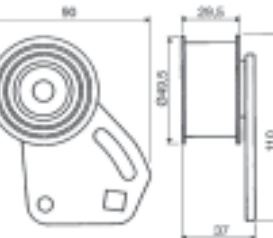
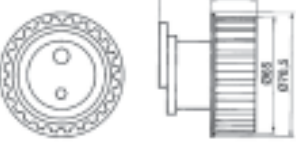
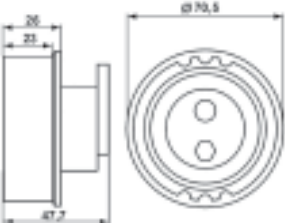
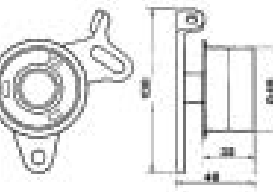
VKM 15216

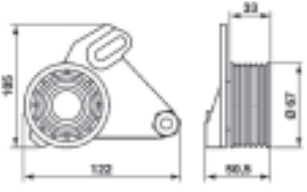
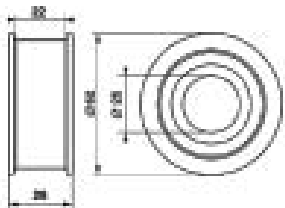

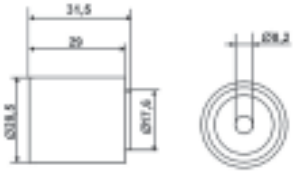
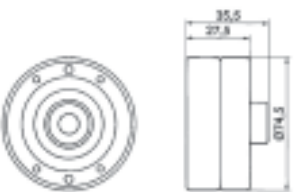
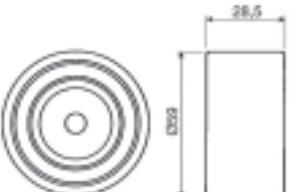
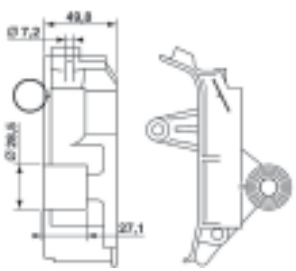
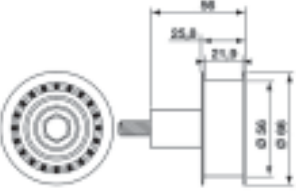

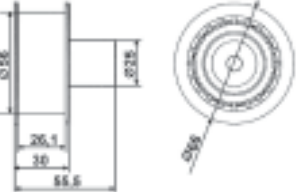
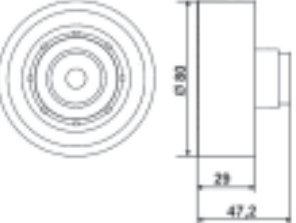
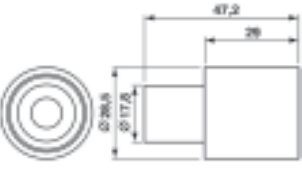


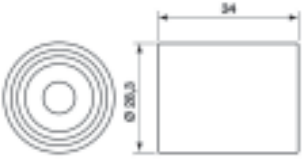
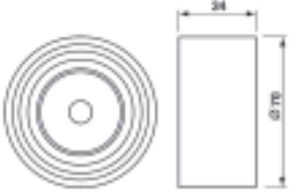
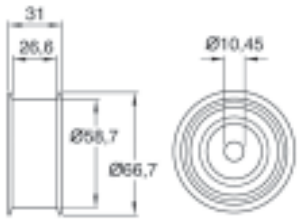
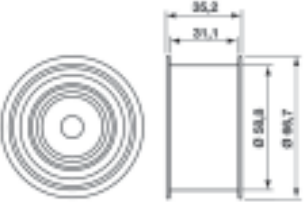
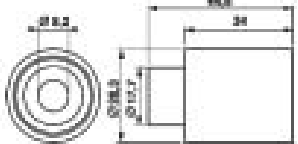
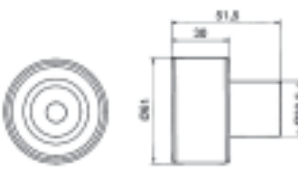
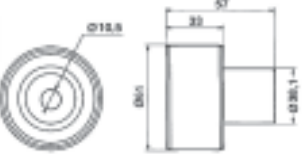
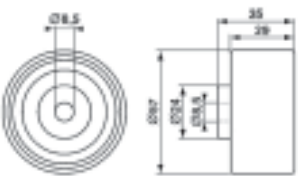
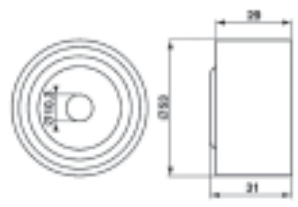
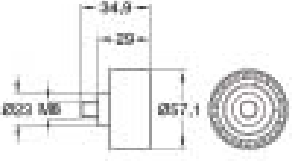
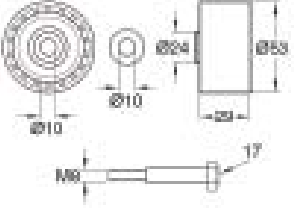
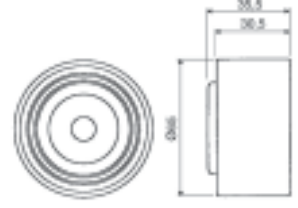
VKM 15402

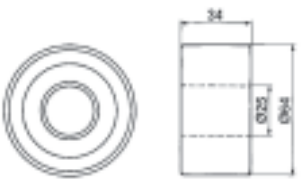
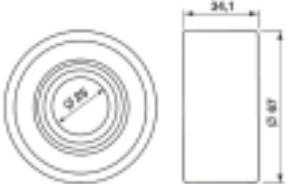
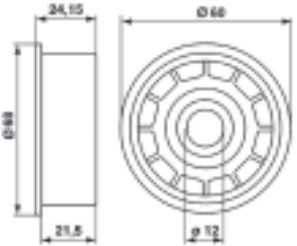
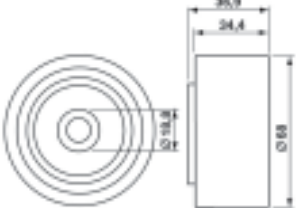
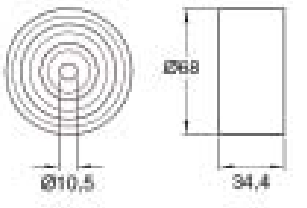
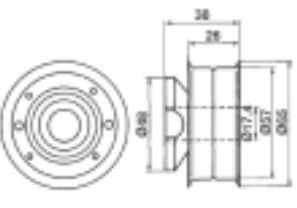
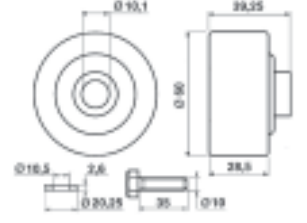
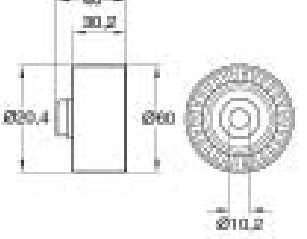
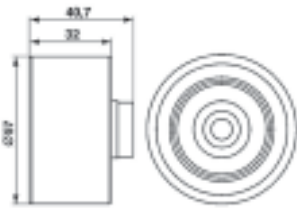
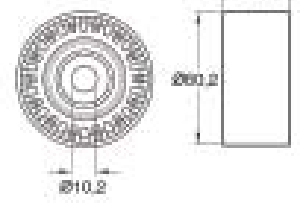
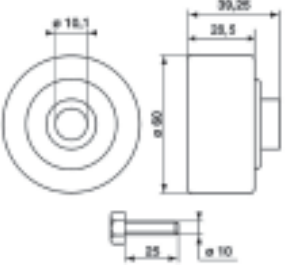
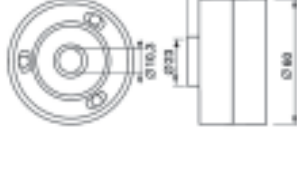


| | | |
|---|--|---|
| <p>VKM 16000</p>  | <p>VKM 16001</p>  | <p>VKM 16020</p>  |
| <p>VKM 16101 H</p>  | <p>VKM 16102</p>  | <p>VKM 16112 H</p>  |
| <p>VKM 16200</p>  | <p>VKM 16204</p>  | <p>VKM 16210</p>  |
| <p>VKM 16212</p>  | <p>VKM 16300</p>  | <p>VKM 16410</p>  |

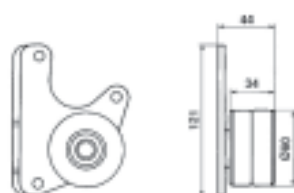
| | | |
|---|--|---|
| <p>VKM 16501</p>  | <p>VKM 16551</p>  | <p>VKM 16600</p>  |
| <p>VKM 16602</p>  | <p>VKM 16604</p>  | <p>VKM 17200</p>  |
| <p>VKM 17300</p>  | <p>VKM 17310</p>  | <p>VKM 17400</p>  |
| <p>VKM 18000</p>  | <p>VKM 18001</p>  | <p>VKM 18100</p>  |

| | | |
|---|--|---|
| <p>VKM 18120</p>  | <p>VKM 18200</p>  | <p>VKM 21004</p>  |
| <p>VKM 21012</p>  | <p>VKM 21031</p>  | <p>VKM 21052</p>  |
| <p>VKM 21115</p>  | <p>VKM 21120</p>  | <p>VKM 21121</p>  |
| <p>VKM 21122</p>  | <p>VKM 21130</p>  | <p>VKM 21131</p>  |

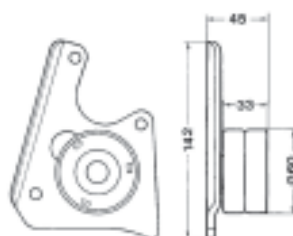
| | | |
|---|--|---|
| <p>VKM 21142</p>  | <p>VKM 21150</p>  | <p>VKM 21201</p>  |
| <p>VKM 21202</p>  | <p>VKM 21203</p>  | <p>VKM 22151</p>  |
| <p>VKM 22153</p>  | <p>VKM 22173</p>  | <p>VKM 22174</p>  |
| <p>VKM 22177</p>  | <p>VKM 22179</p>  | <p>VKM 22242</p>  |

| | | |
|---|--|---|
| <p>VKM 22380</p>  | <p>VKM 22385</p>  | <p>VKM 22510</p>  |
| <p>VKM 22540</p>  | <p>VKM 22541</p>  | <p>VKM 22630</p>  |
| <p>VKM 23120</p>  | <p>VKM 23122</p>  | <p>VKM 23130</p>  |
| <p>VKM 23140</p>  | <p>VKM 23213</p>  | <p>VKM 23230</p>  |

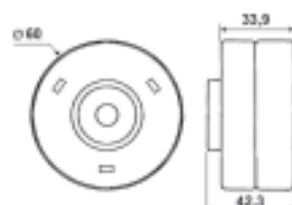
VKM 23240



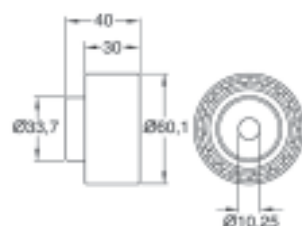
VKM23241



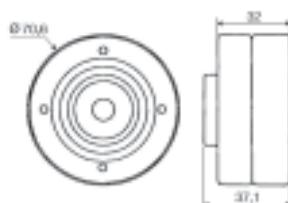
VKM 23244



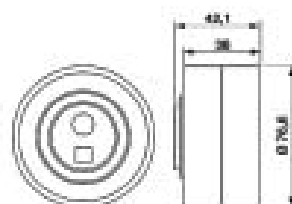
VKM 23246



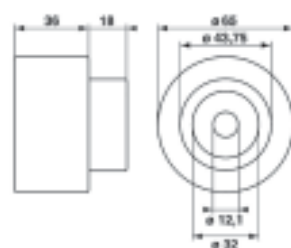
VKM 23300



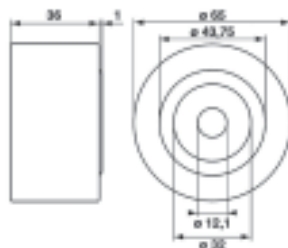
VKM 23904



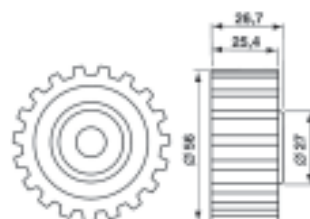
VKM 23900



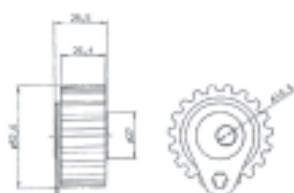
VKM 23901



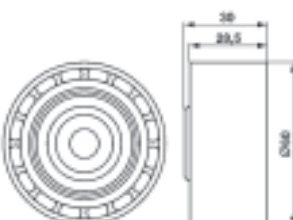
VKM 24100



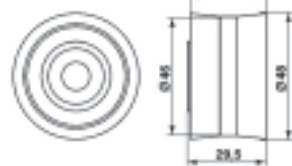
VKM 24107



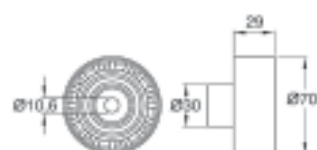
VKM 24210 H



VKM 24211



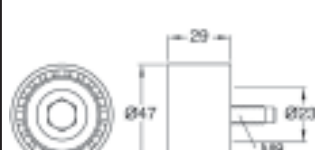
VKM 24212



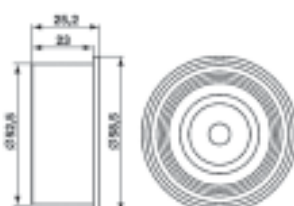
VKM 24213



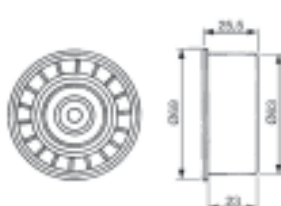
VKM 24214



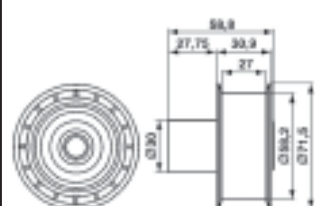
VKM 25150 H



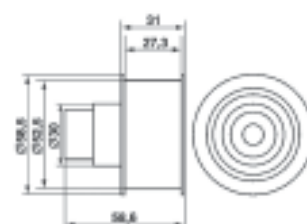
VKM 25152 H



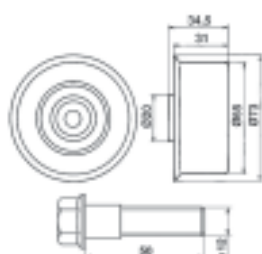
VKM 25201



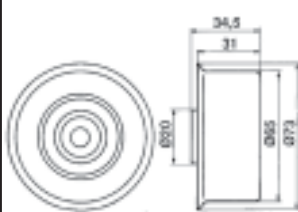
VKM 25202



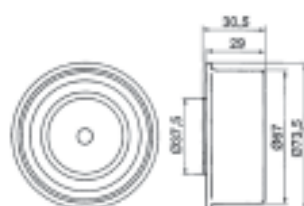
VKM 25208



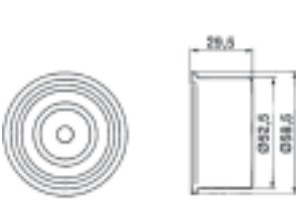
VKM 25210 H



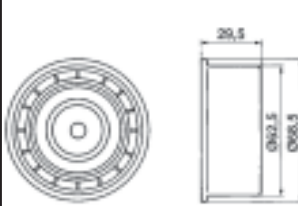
VKM 25211



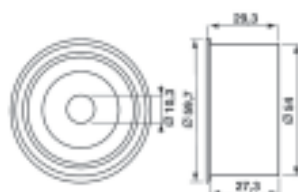
VKM 25212 H



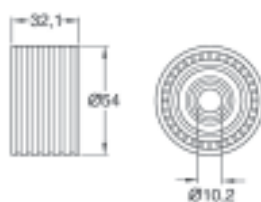
VKM 25213 H



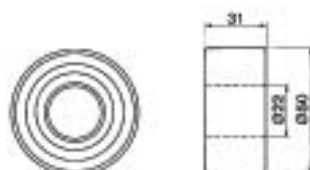
VKM 25224



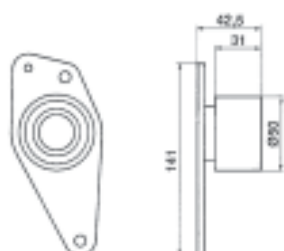
VKM 26020



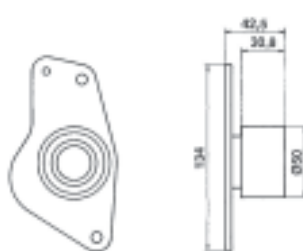
VKM 26100



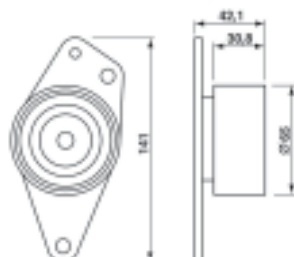
VKM 26101H



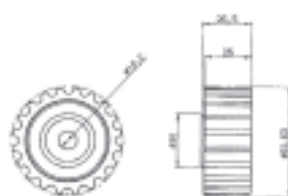
VKM 26102 H



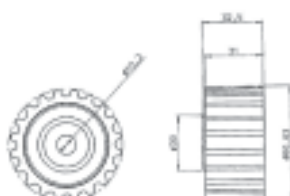
VKM 26115 H



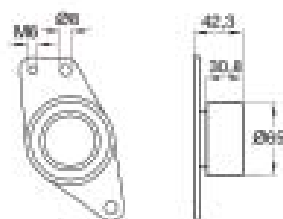
VKM 26123



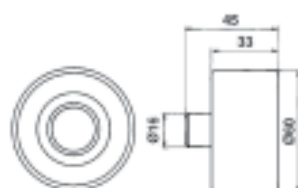
VKM 26125



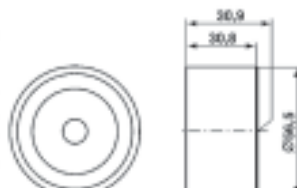
VKM 26128



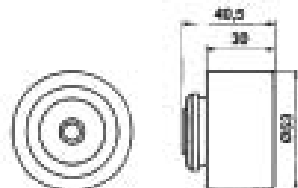
VKM 26211

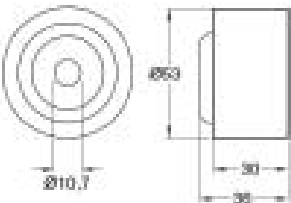
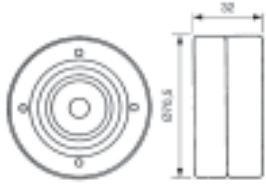
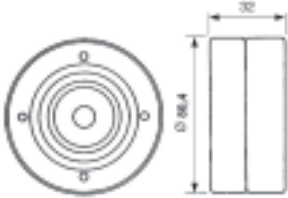
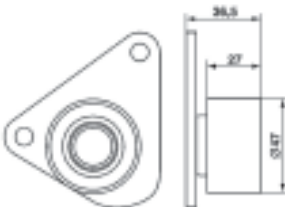
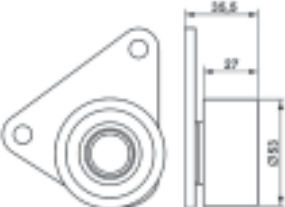
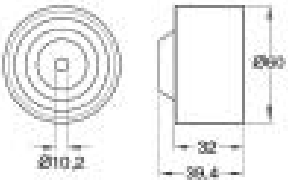
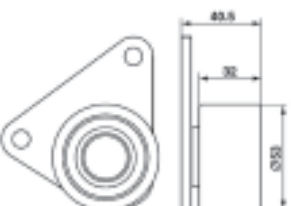
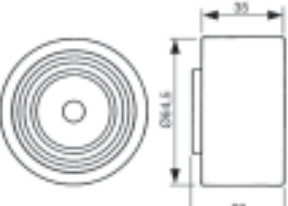
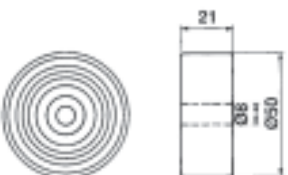
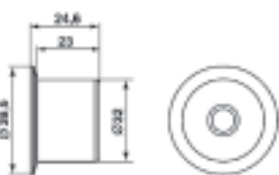
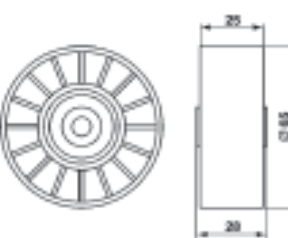
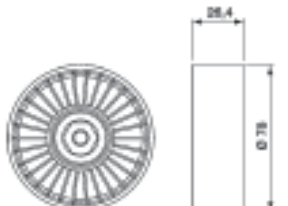


VKM 26212

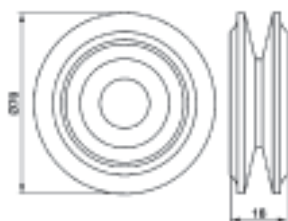


VKM 26400

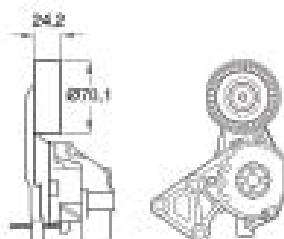


| | | |
|---|--|---|
| <p>VKM 26402</p>  | <p>VKM 26500</p>  | <p>VKM 26501</p>  |
| <p>VKM 26600</p>  | <p>VKM 26602</p>  | <p>VKM 26606</p>  |
| <p>VKM 26612</p>  | <p>VKM 27404</p>  | <p>VKM 28000</p>  |
| <p>VKM 28001</p>  | <p>VKM 31002</p>  | <p>VKM 31004</p>  |

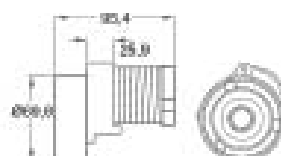
VKM 31009



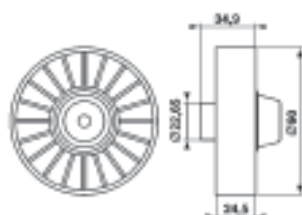
VKM 31011



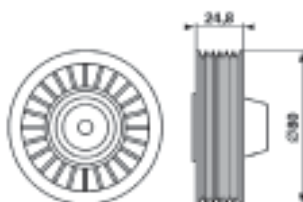
VKM 31015



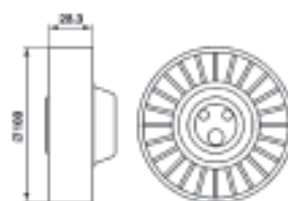
VKM 32001



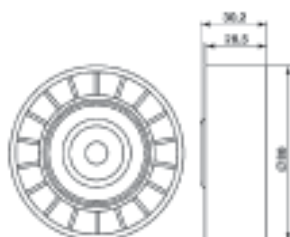
VKM 32002



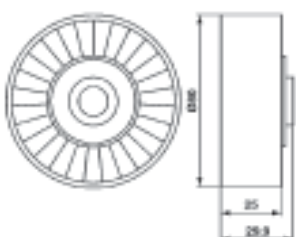
VKM 32004



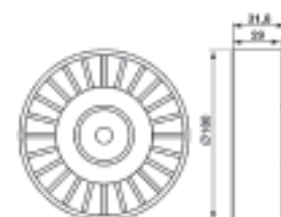
VKM 32005



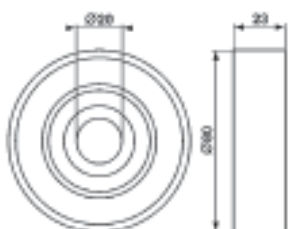
VKM 32006



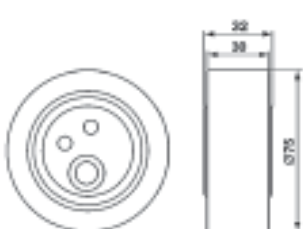
VKM 32007



VKM 32009



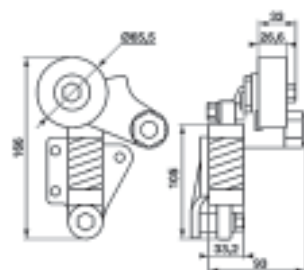
VKM 32010



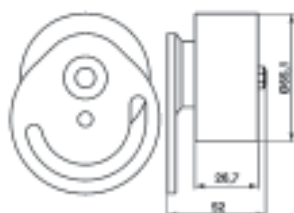
VKM 32011



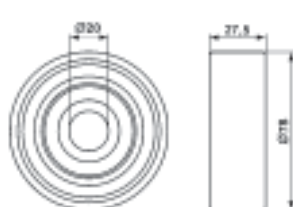
VKM 32012



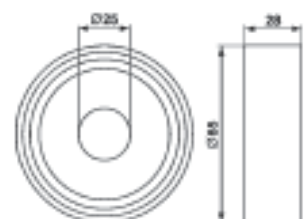
VKM 32015



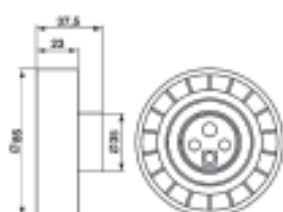
VKM 32016



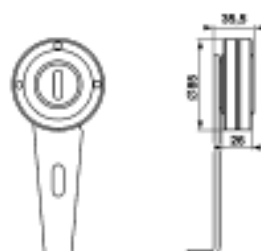
VKM 32017



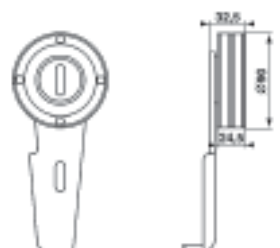
VKM 33001



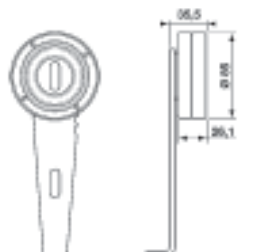
VKM 33002



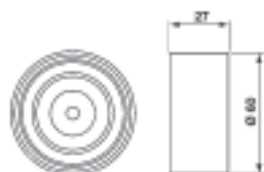
VKM 33003



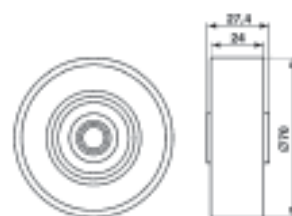
VKM 33004



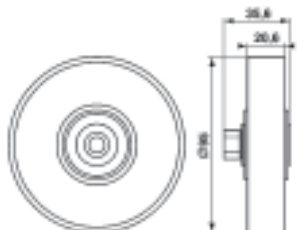
VKM 33005



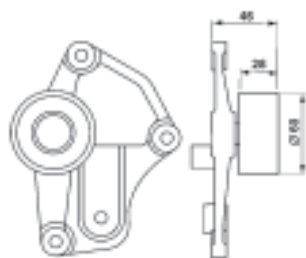
VKM 33006 H



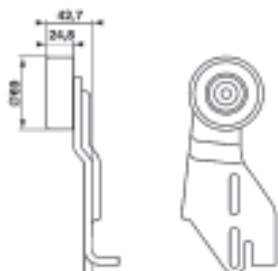
VKM 33007



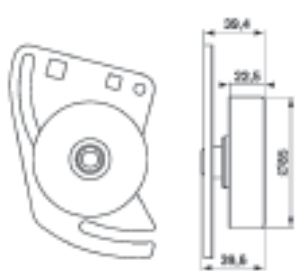
VKM 33008 H



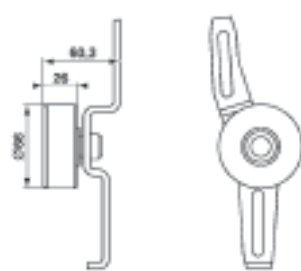
VKM 33009



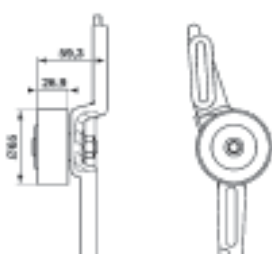
VKM 33010 H



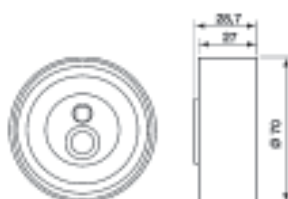
VKM 33011



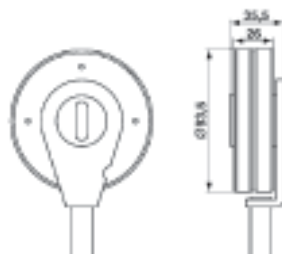
VKM 33012



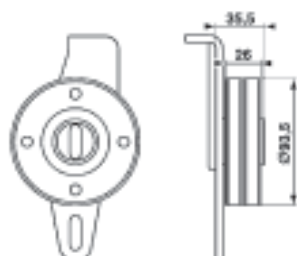
VKM 33013



VKM 33014



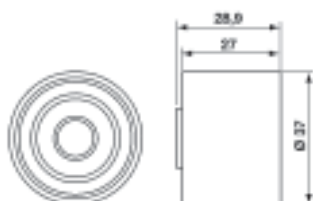
VKM 33015



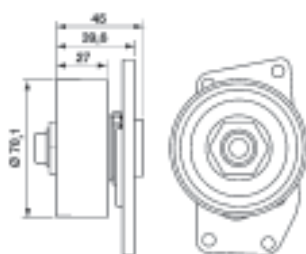
VKM 33016



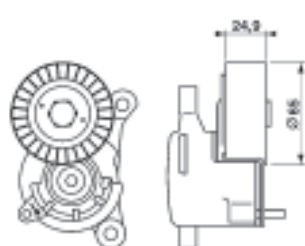
VKM 33017



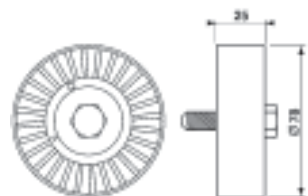
VKM 33018



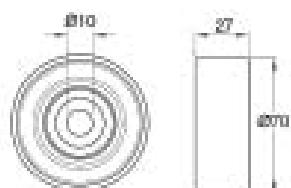
VKM 33019



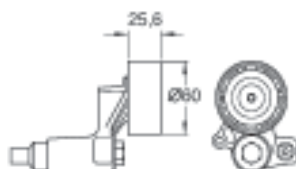
VKM 33020



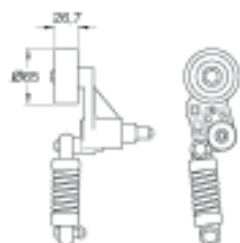
VKM 33023



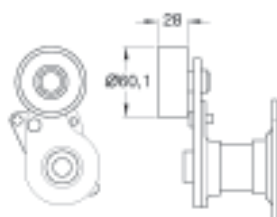
VKM 33029



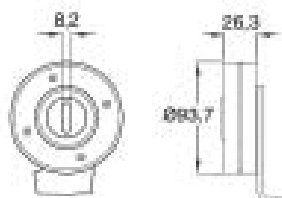
VKM 33037



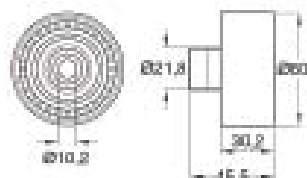
VKM 33040



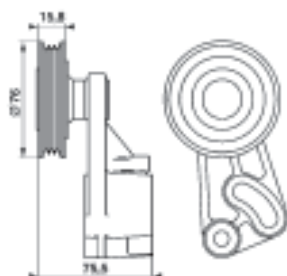
VKM 33041



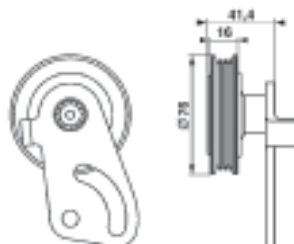
VKM 33044



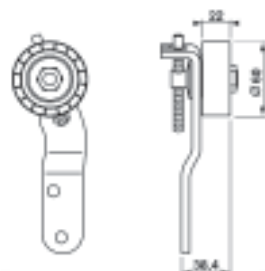
VKM 34002



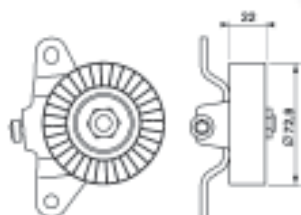
VKM 34003



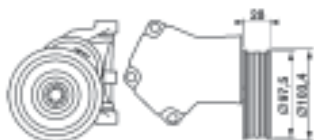
VKM 34004



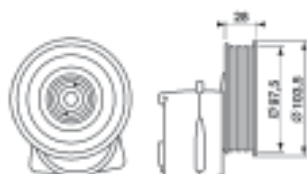
VKM 34005



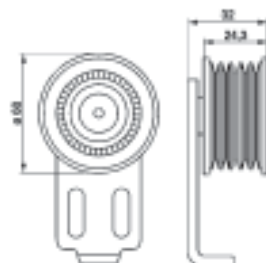
VKM 34007



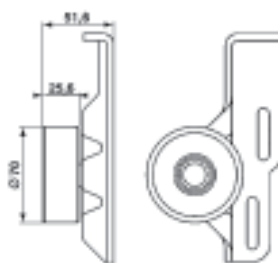
VKM 34008



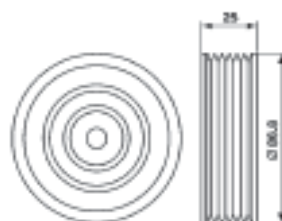
VKM 36009



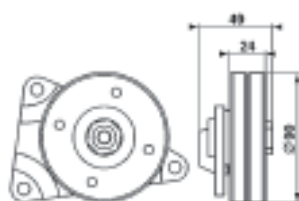
VKM 36010



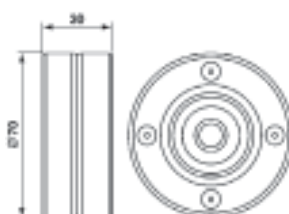
VKM 36011



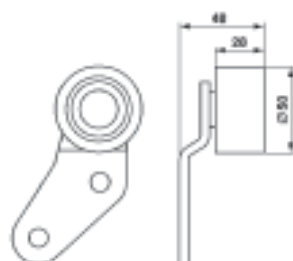
VKM 36012 H



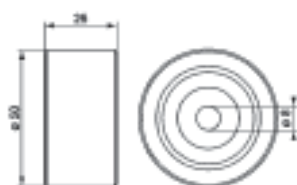
VKM 36013 H



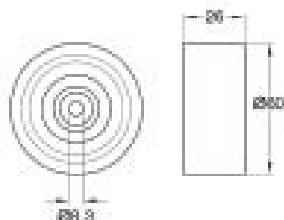
VKM 36014 H



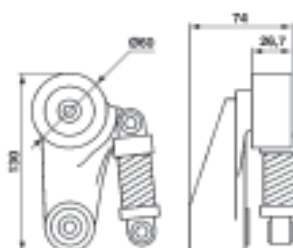
VKM 36016



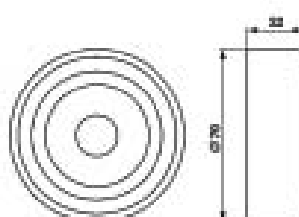
VKM 36017



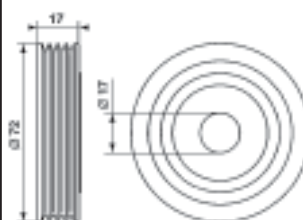
VKM 36018



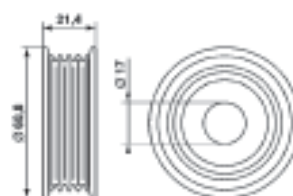
VKM 37002



VKM 37003

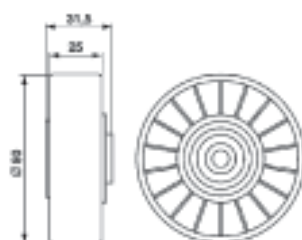


VKM 37004

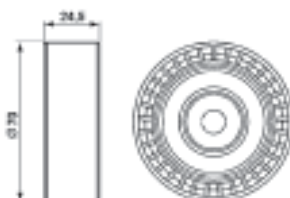


VKM 38003

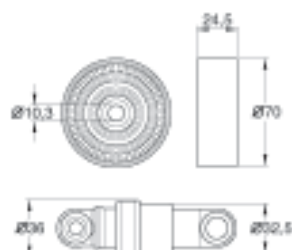
VKM 38001



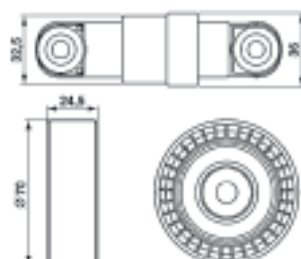
VKM 38004



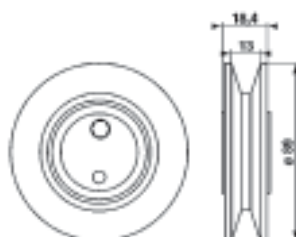
VKM 38005



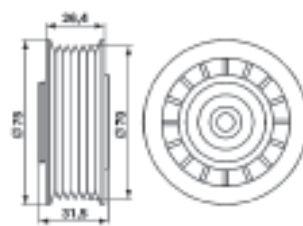
VKM 38006



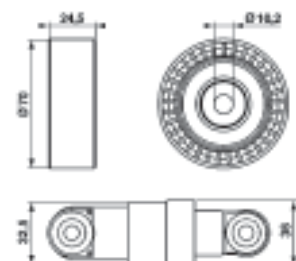
VKM 38009



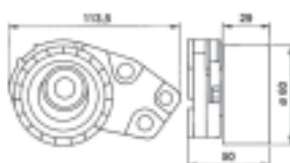
VKM 38012



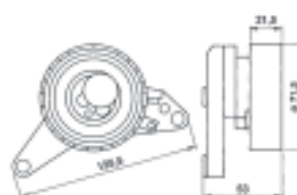
VKM 38016



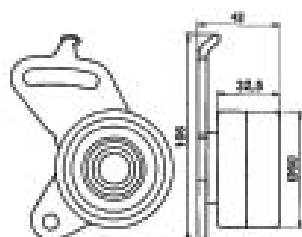
VKM 70000



VKM 70001



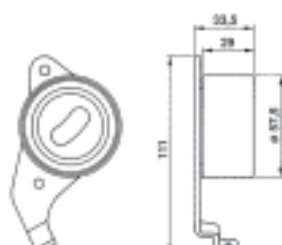
VKM 71001



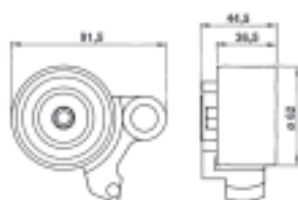
VKM 71002



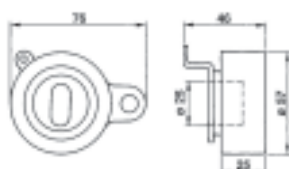
VKM 71003



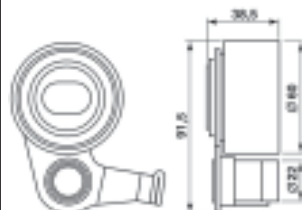
VKM 71004



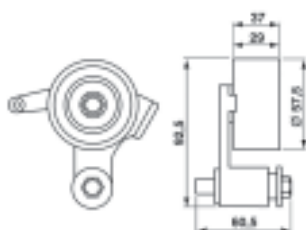
VKM 71007



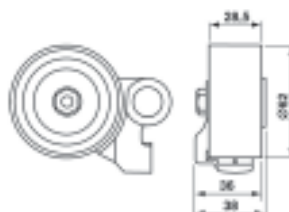
VKM 71012



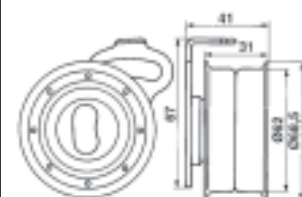
VKM 71013



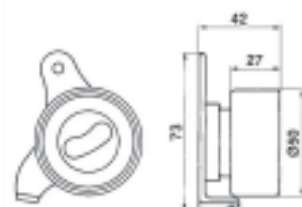
VKM 71014



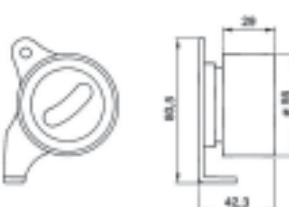
VKM 71100



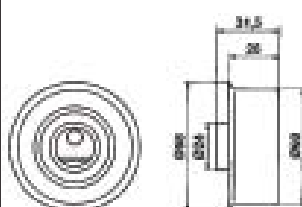
VKM 71201



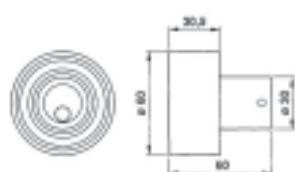
VKM 71400



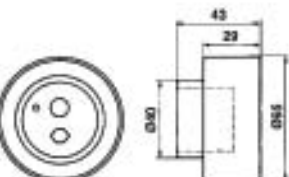
VKM 72000



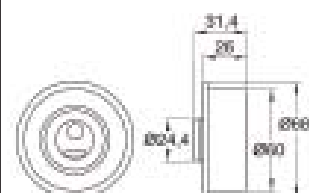
VKM 72004



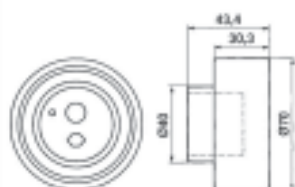
VKM 72300



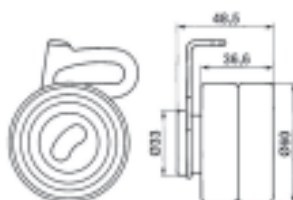
VKM 72303



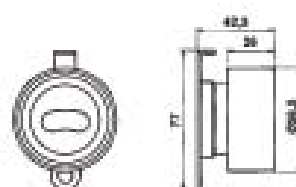
VKM 72310



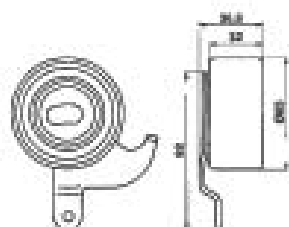
VKM 72500



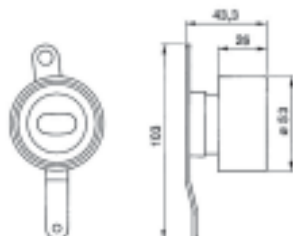
VKM 73000



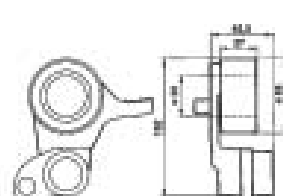
VKM 73001



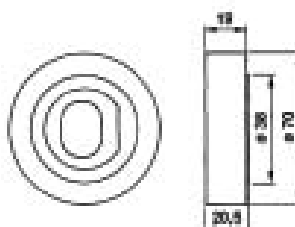
VKM 73005



VKM 73008



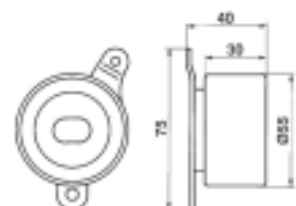
VKM 73007



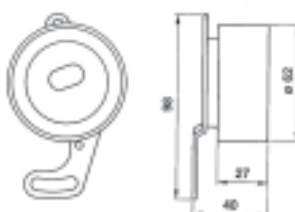
VKM 73011



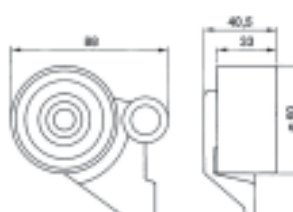
VKM 73201



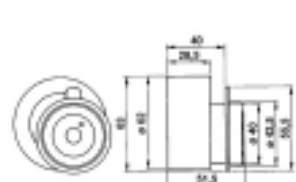
VKM 73600



VKM 74000

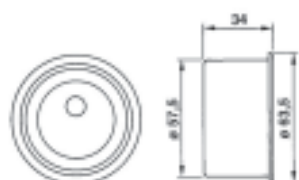


VKM 74002

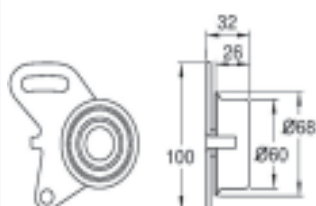


| | | |
|------------------|------------------|------------------|
| <p>VKM 74004</p> | <p>VKM 74006</p> | <p>VKM 74008</p> |
| <p>VKM 74200</p> | <p>VKM 74201</p> | <p>VKM 74300</p> |
| <p>VKM 74310</p> | <p>VKM 74600</p> | <p>VKM 75000</p> |
| <p>VKM 75002</p> | <p>VKM 75004</p> | <p>VKM 75006</p> |

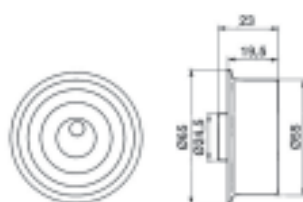
VKM 75009



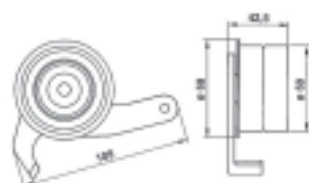
VKM 75033



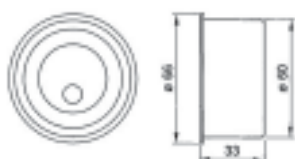
VKM 75044



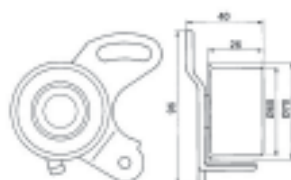
VKM 75054



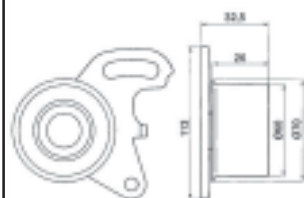
VKM 75064



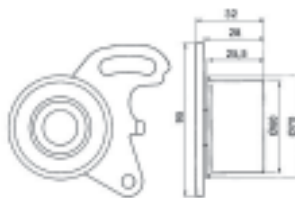
VKM 75100



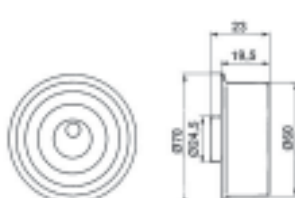
VKM 75101



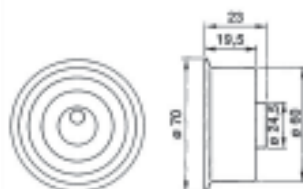
VKM 75108



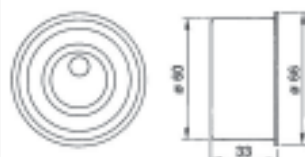
VKM 75113



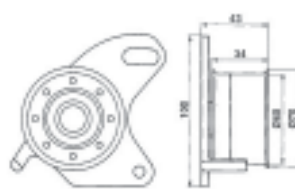
VKM 75119



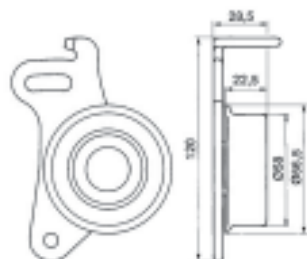
VKM 75144



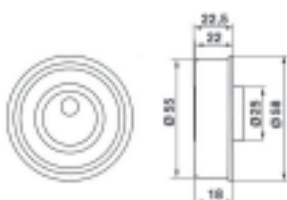
VKM 75601



VKM 75612



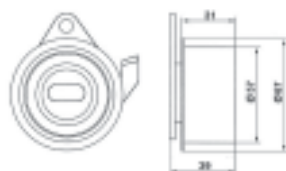
VKM 75613



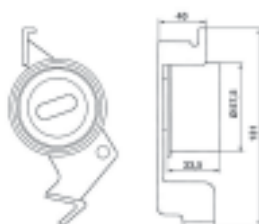
VKM 75614



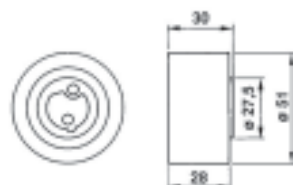
VKM 75615



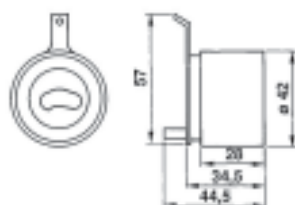
VKM 75616



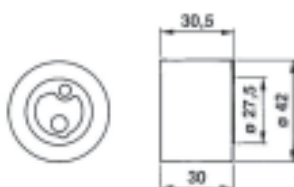
VKM 76001



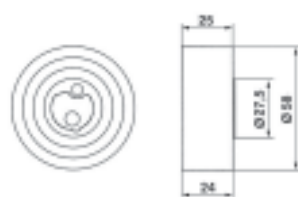
VKM 76102



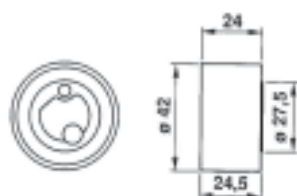
VKM 76200



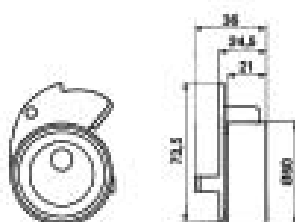
VKM 76202



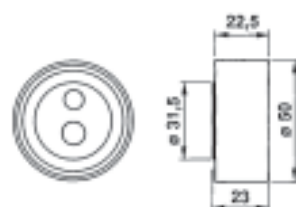
VKM 76203



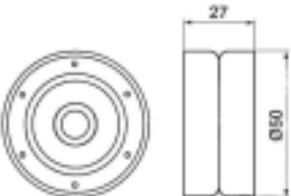
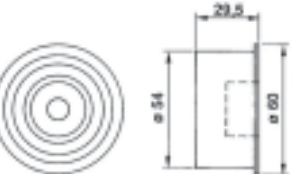
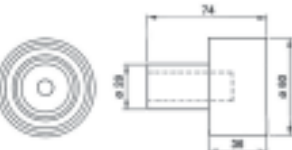
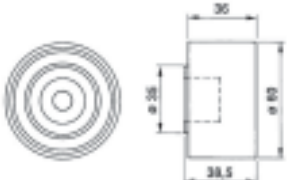
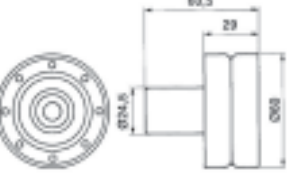
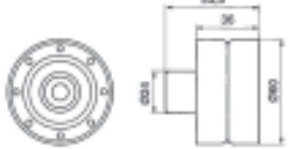
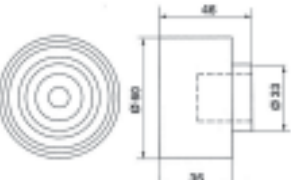
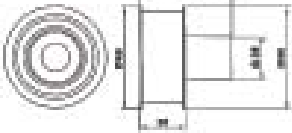
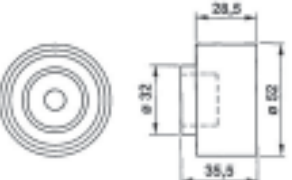
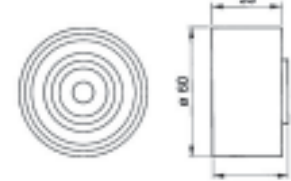
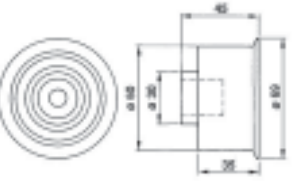
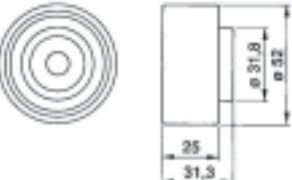
VKM 77300

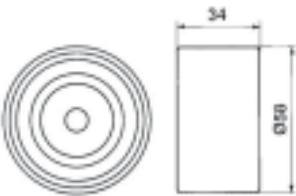
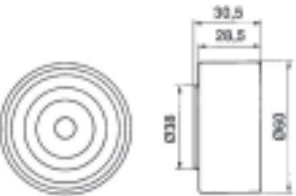
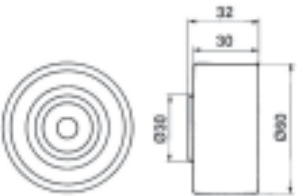
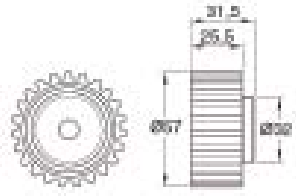
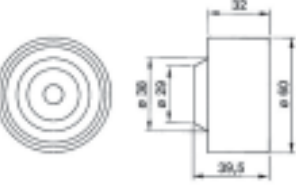
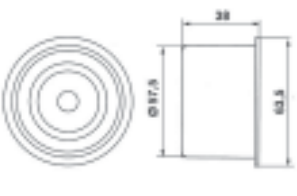
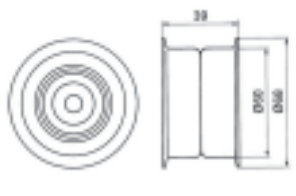
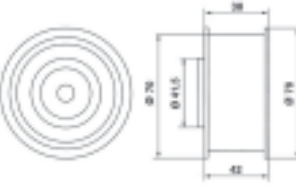
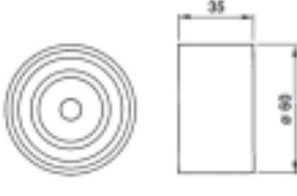
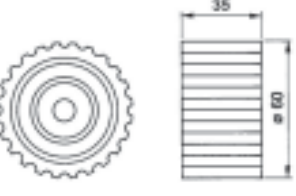
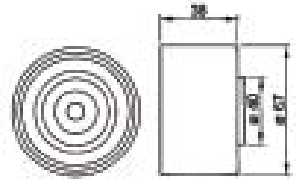


VKM 77401



| | | |
|------------------|------------------|------------------|
| <p>VKM 77500</p> | <p>VKM 78000</p> | <p>VKM 79000</p> |
| <p>VKM 79001</p> | <p>VKM 79002</p> | <p>VKM 79003</p> |
| <p>VKM 80000</p> | <p>VKM 81000</p> | <p>VKM 81001</p> |
| <p>VKM 81002</p> | <p>VKM 81004</p> | <p>VKM 81100</p> |

| | | |
|---|--|---|
| <p>VKM 81201</p>  | <p>VKM 81400</p>  | <p>VKM 82000</p>  |
| <p>VKM 82001</p>  | <p>VKM 82302</p>  | <p>VKM 82500</p>  |
| <p>VKM 82501</p>  | <p>VKM 82502</p>  | <p>VKM 84000</p>  |
| <p>VKM 84001</p>  | <p>VKM 84002</p>  | <p>VKM 84201</p>  |

| | | |
|---|--|--|
| <p>VKM 84310</p>  | <p>VKM 84600</p>  | <p>VKM 84601</p>  |
| <p>VKM 84604</p>  | <p>VKM 85000</p>  | <p>VKM 85002</p>  |
| <p>VKM 85140</p>  | <p>VKM 85141</p>  | <p>VKM 88000</p>  |
| <p>VKM 88001</p>  | <p>VKM 89003</p>  | |

Consejos para diagnosticar y evitar averías en tensores de correas



Síntoma/problema observado:

Ruido de la polea auxiliar

Causa probable:

El ruido puede deberse a una falta de alineación de la correa con la polea o a una excesiva tensión de la correa. Si el rodamiento tiene una holgura radial excesiva y el aro interior llega a hacer contacto con la polea, se producirá ruido.



Síntoma/problema observado:

Marcas anormales de impacto en la polea

Causa probable:

Estas marcas han sido producidas por un cuerpo extraño externo al sistema, que también puede causar la pérdida de alineación de la correa. Se puede confirmar la presencia de un cuerpo extraño externo al sistema examinando la correa para ver si existen dentelladas en su lado liso.



Síntoma/problema observado:

Indicador del tensor agrietado

Causa probable:

El tensor ha funcionado a una tensión incorrecta y ha terminado por romperse. No se ha observado el par de apriete del tornillo, o se ha montado el tensor con el motor excesivamente caliente o frío y el tensor no ha quedado bien ajustado.



Síntoma/problema observado:

Polea mal alineada

Causa probable:

La marca producida por la correa en la polea es indicativa de que ésta ha estado mal alineada con la polea. La falta de alineación resultante ha causado la avería.

Síntoma/problema observado:

Marca de giro cerca de la excéntrica

Causa probable:

La placa trasera presenta marcas de giro causadas por una fijación insuficiente. Cuando el tornillo está apretado correctamente, hay marcas en la placa trasera.



Síntoma/problema observado:

El rodamiento está trabado.

Causa probable:

El montaje incorrecto del conjunto tensor en el motor ha hecho que el rodamiento se trabe entre el tornillo de fijación y la placa de anclaje, que a su vez ha sido doblada por el tetón de anclaje.

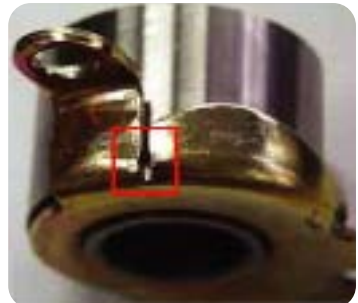


Síntoma/problema observado:

La placa trasera del tensor está rota

Causa probable:

El indicador de tensión ha golpeado contra su tope. Como consecuencia de esto, el tensor ha fallado. Este problema se debe a una instalación inicial incorrecta.





Síntoma/problema observado:

El rodamiento está trabado, el tensor está oxidado

Causa probable:

El óxido presente en el tensor ha penetrado en el rodamiento y ha hecho que éste falle. La correa ha patinado sobre la polea debido a que el rodamiento estaba trabado.



Síntoma/problema observado:

La placa de metal o el indicador de tensión están rotos

Causa probable:

Puede deberse a: ajuste incorrecto del tensor; montaje del tensor en un motor demasiado caliente o frío; aplicación del par de apriete incorrecto al tornillo; o utilización inadecuada de la caja de cambios por parte del usuario del vehículo.



Síntoma/problema observado:

La correa ha estado rozando contra el conjunto tensor; el conjunto tensor se ha partido

Causa probable:

Daños en el tensor, especialmente en la polea. Puede ser debido a una excesiva tensión de la correa o a una mala alineación entre correa y poleas. Cuando existe desgaste en la cara lisa de la correa, es indicativo de que está demasiado tensada.



Síntoma/problema observado:

Abolladura en el canto de la polea

Causa probable:

Debido a la utilización de un destornillador durante el montaje. Si un rodamiento cae al suelo, no lo monte. En algunos casos se intenta reparar utilizando un destornillador o un martillo. Sin embargo, el daño interno no puede repararse y pueden producirse otros daños.



Nuestra conexión de alta velocidad



Su conexión de alta velocidad



www.skf.com.ar

Ingresa al mundo SKF

© Copyright SKF 2005

El contenido de este catálogo es propiedad de SKF Argentina SA y no puede reproducirse sin la debida autorización.

Esta publicación tiene la finalidad de informar. Todo uso de la información dada es bajo la responsabilidad del usuario. SKF no será responsable de ningún daño directo o indirecto que se produzca por el uso de dicha información.

Impreso en Argentina

